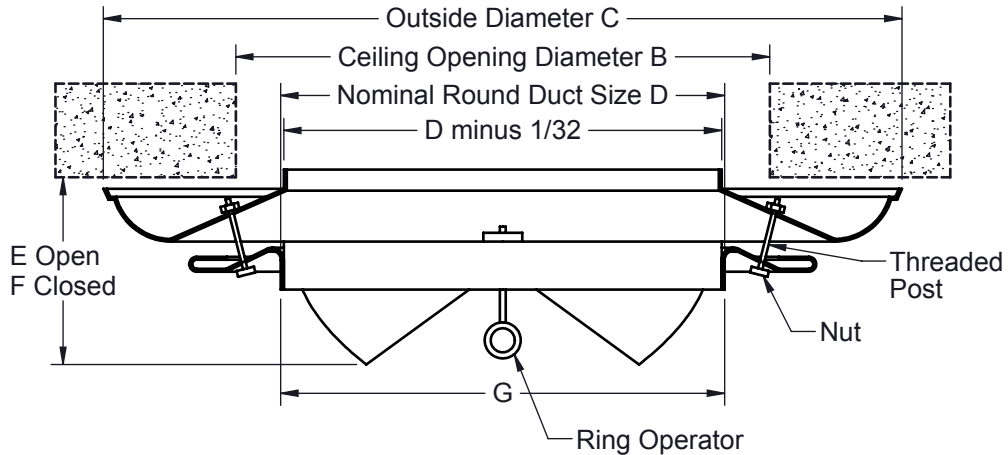
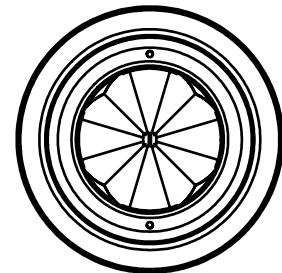


- Steel construction
- 360 degree discharge pattern
- Airflow is adjusted by rotating ring operator from fully open position (vertical discharge) to fully closed position (horizontal discharge)
- Ring operator can be adjusted by pole
- Inner core is removable for access to damper
- Standard finish is white (WH)



Nominal Round Duct Size D	B	C	E	F	G
10	10-1/2	18-1/4	7-1/2	3	10
12	12-1/2	22	9-3/8	4	12
14	14-1/2	26	6-3/4	4	14
16	16-1/2	29	8-1/2	5	16
18	18-1/2	32-1/2	9-1/8	5	18
20	20-1/2	36	10-3/8	5-1/2	20
24	24-1/2	43-1/4	12-1/4	6-5/8	24
30	30-1/2	53-5/8	13-7/8	8-1/4	30
36	36-1/2	64-3/8	15-5/8	10	36



Face View

Dimensions in inches

Job: \_\_\_\_\_  
 Location: \_\_\_\_\_  
 Architect: \_\_\_\_\_  
 Engineer: \_\_\_\_\_  
 Contractor: \_\_\_\_\_

Tag: \_\_\_\_\_  
 Submitted By: \_\_\_\_\_  
 SD - 1846      Rev: A (10/12)

**VB**  
**Industrial Round Diffuser**  
**w/ Ring Operator**  
**Steel**