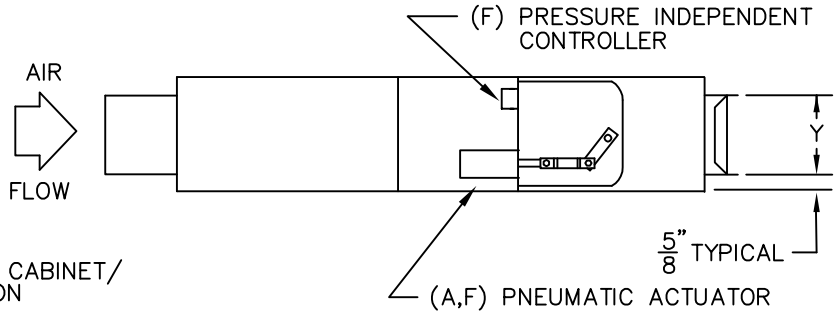
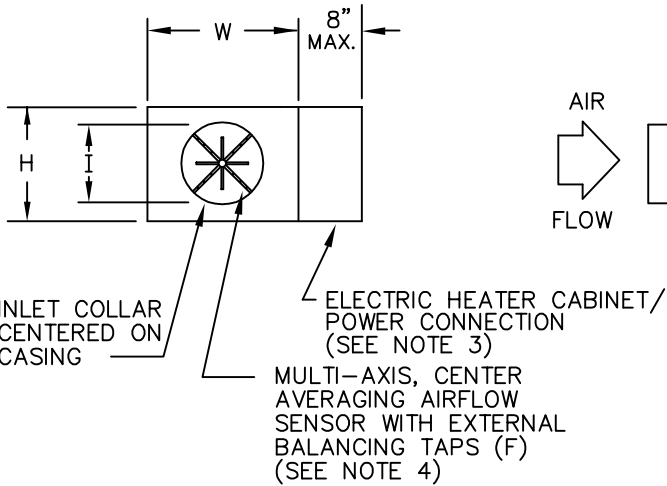
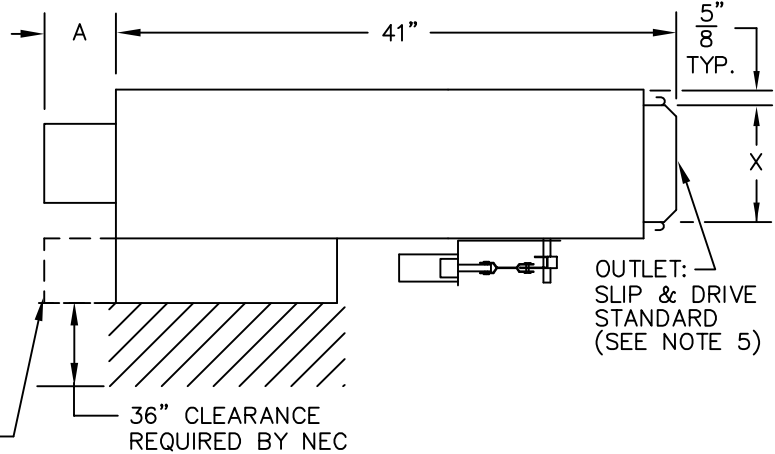


DIMENSIONAL DATA

UNIT SIZE	W	H	A	I	X	Y
4	10 [254]	10 [254]	10-1/2 [267]	3-7/8 [98]	8-3/4 [222]	8-3/4 [222]
5	10 [254]	10 [254]	10-1/2 [267]	4-7/8 [124]	8-3/4 [222]	8-3/4 [222]
6	10 [254]	10 [254]	6-1/2 [165]	5-7/8 [149]	8-3/4 [222]	8-3/4 [222]
8	12 [305]	10 [254]	6-1/2 [165]	7-7/8 [200]	10-3/4 [273]	8-3/4 [222]
10	14 [356]	12-1/2 [318]	6-1/2 [165]	9-7/8 [251]	12-3/4 [324]	11-1/4 [286]
12	16 [406]	15 [381]	6-1/2 [165]	11-7/8 [302]	14-3/4 [375]	13-3/4 [349]
14	20 [508]	17-1/2 [445]	6-1/2 [165]	13-7/8 [352]	18-3/4 [476]	16-1/4 [413]
16	24 [610]	17-1/2 [445]	6-1/2 [165]	15-7/8 [403]	22-3/4 [578]	16-1/4 [413]

DOWNSTREAM P<sub>s</sub> MUST BE 0.07 INCHES WATER GAUGE OR GREATER.



CONSTRUCTION NOTES:

1. MATERIAL: Galvanized steel; Casing -22 gauge; Air valve casing -22 gauge.
2. INSULATION: 1/2" thick fiberglass complying with NFPA 90-A and UL 181.
3. POWER CONNECTION: Units have single point power connection for compatible voltages only. Non-compatible voltages require two separate connections.
4. AIRFLOW SENSOR: Sizes 4 & 5 utilize single-axis linear averaging type.
5. INSTALLATION: A) If internal insulation is utilized in the downstream ductwork, the insulation must be secured in such a manner that no raw insulation edges are exposed to the airstream.  
B) Inlet & Outlet collars should be externally insulated by others (in the field) if required.  
C) Minimum of 1 1/2 equivalent duct diameters of straight inlet duct required to assure proper heater operation.

NOTE: All drawings subject to change without prior notice.

(A) PRESSURE DEPENDENT - SERIES SD000

(F) PRESSURE INDEPENDENT - SERIES SD400

TITLE:  
MODEL SDR-EH SINGLE DUCT  
TERMINAL UNIT  
PNEUMATIC CONTROLS



DRN BY: CV	DATE: 11/04/92	SCALE: N/A	DRAWING NO. 15852
CKD BY: Chris H	DATE: 06/23/06	REV: 03	