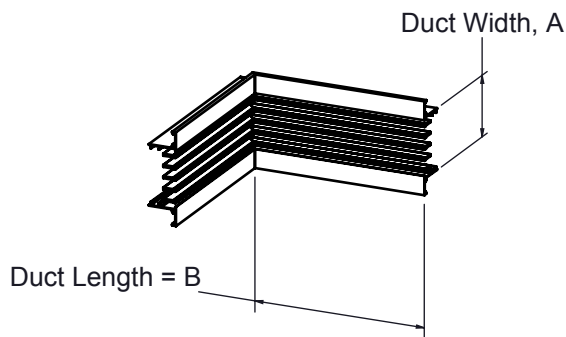
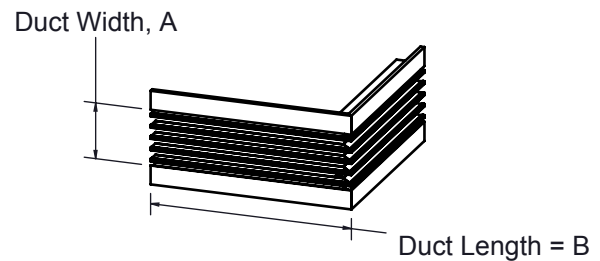


Floor or Ceiling

Type CF - 0° Deflection
 Type CI - Deflection Inside
 Type CO - Deflection Outside



Type SI - Side Wall, Inside



Type SO - Side Wall, Outside

DIMENSIONS	
A	B
2 to 4	12
4 1/2 to 12	18

Finishes

WH - White
 ML - Mill
 AP - Aluminum Paint
 OW - Off-White
 FB - Flat Black
 MP - Match Paint
 CA - Clear Anodized
WH and ML are standard

Dimensions in inches

Job: _____	Tag: _____	4000 Linear Diffuser Mitered Corners, 4000MC
Location: _____	Submitted By: _____	
Architect: _____		
Engineer: _____		
Contractor: _____	SD - 2083	Rev: C (10/11)