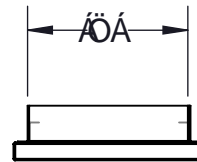
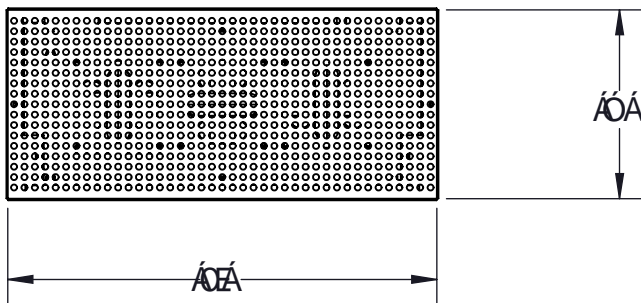
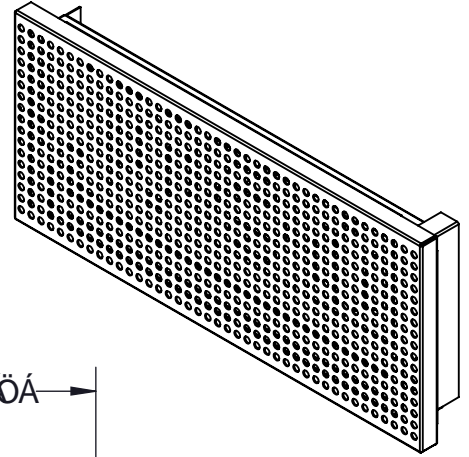
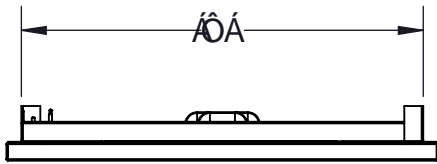




PRODUCT DIMENSIONS

DSQ1



Displacement
ventilation

Model	Nominal Unit Size	Unit Dimensions (Inches)			
		A	B	C	D
DSQ1	6 x 18	6	18	16 3/4	4 4/5
	12 x 12	12	12	10 4/5	10 3/4
	18 x 6	18	6	4 4/5	16 3/4
	18 x 8	18	8	6 4/5	16 3/4
	18 x 12	18	12	10 4/5	16 3/4
	24 x 6	24	6	4 4/5	22 3/4
	24 x 8	24	8	6 4/5	22 3/4
	24 x 12	24	12	10 4/5	22 3/4
	24 x 24	24	24	22 4/5	22 3/4
	24 x 30	24	30	28 4/5	22 3/4
	24 x 36	24	36	34 4/5	22 3/4
	24 x 48	24	48	46 4/5	22 3/4
	30 x 6	30	6	4 4/5	28 3/4
	30 x 8	30	8	6 4/5	28 3/4
	30 x 24	30	24	22 4/5	28 3/4
	36 x 6	36	6	4 4/5	34 3/4
	36 x 8	36	8	6 4/5	34 3/4
	36 x 24	36	24	22 4/5	34 3/4
	40 x 6	40	6	4 4/5	38 3/4
	40 x 8	40	8	6 4/5	38 3/4
48 x 6	48	6	4 4/5	46 3/4	
48 x 8	48	8	6 4/5	46 3/4	
48 x 24	48	24	22 4/5	46 3/4	
60 x 8	60	8	6 4/5	58 3/4	