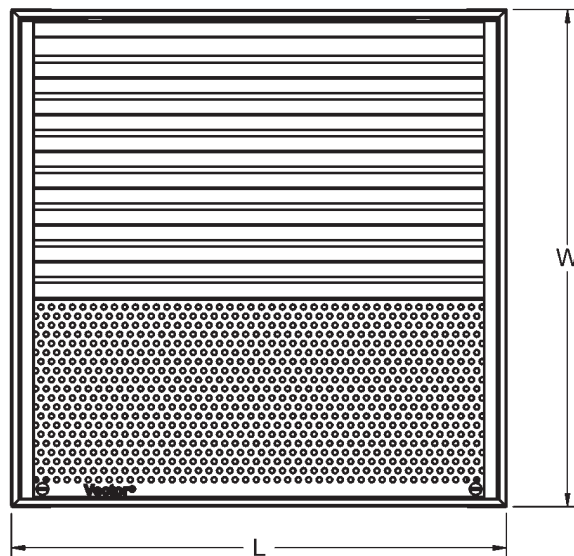
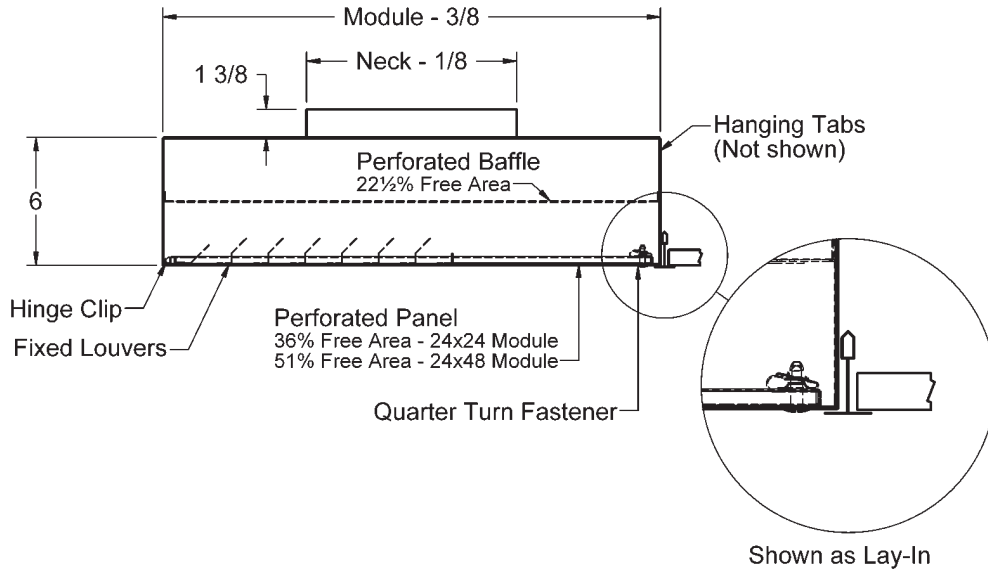




PRODUCT DIMENSIONS

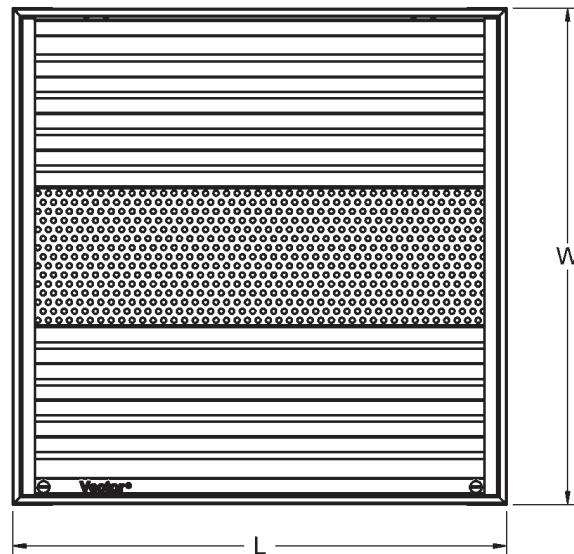
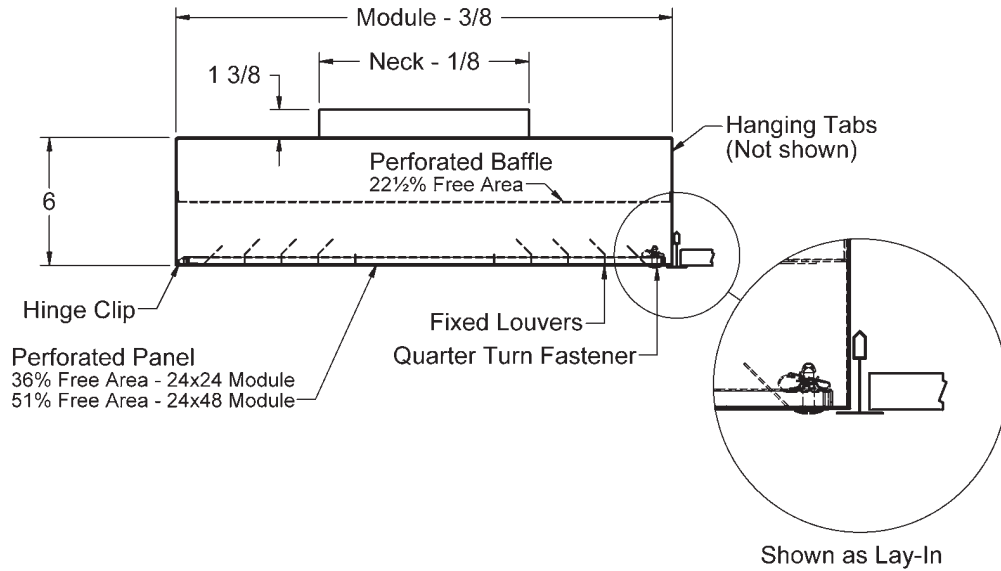
VECTOR® 1-Way Pattern



Module Size	L	W	Neck
12x48	47.75	11.75	6, 8
24x24	23.75	23.75	6, 8, 10
24x48	47.75	23.75	10, 12

PRODUCT DIMENSIONS

VECTOR® 2-Way Pattern

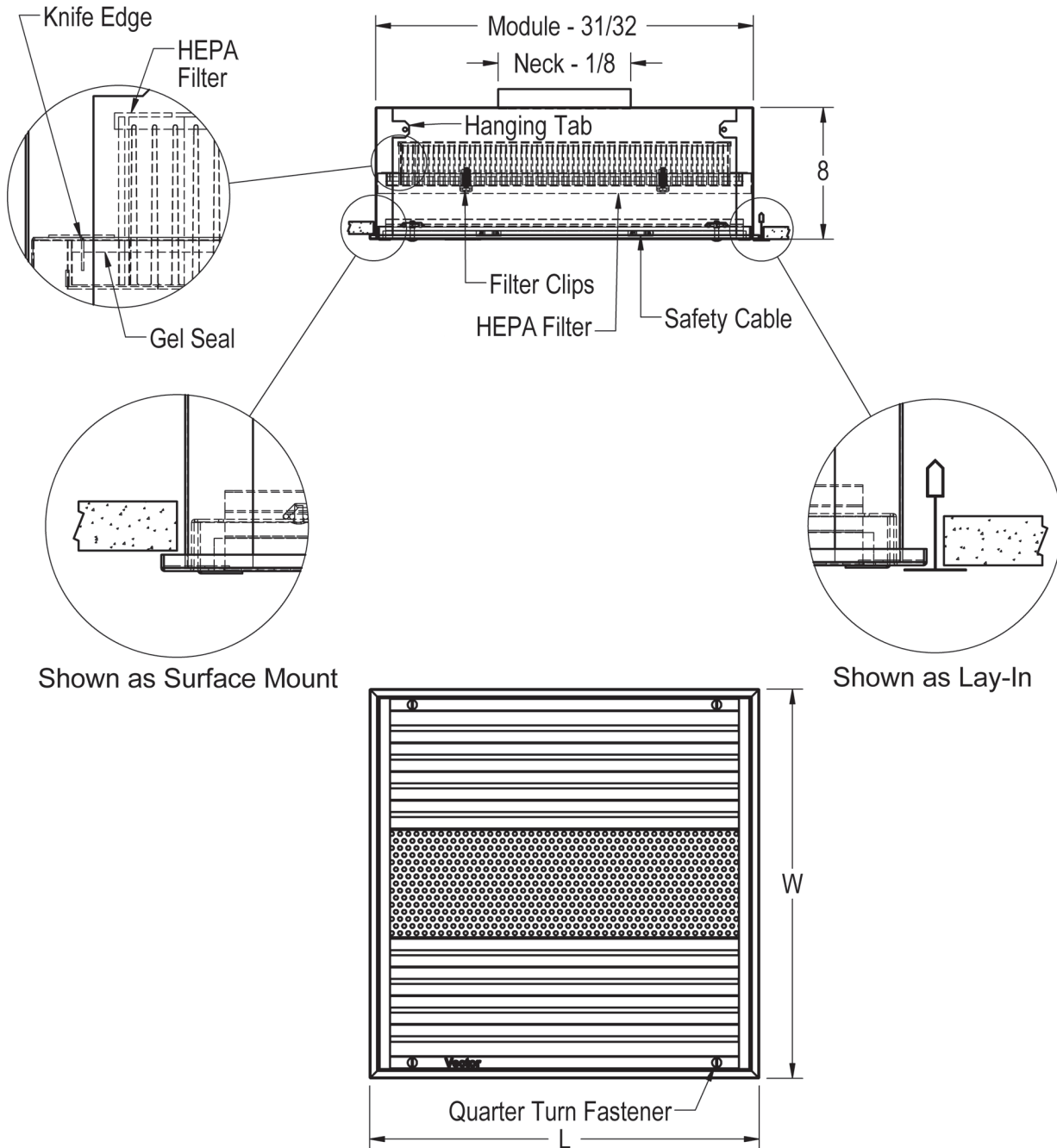


Module Size	L	W	Neck
24x24	23.75	23.75	6, 8, 10
24x48	47.75	23.75	10, 12



PRODUCT DIMENSIONS

VECTOR® HEPA Option



Module Size	L	W	Neck
24x24	23.75	23.75	6, 8, 10
24x48	47.75	23.75	10, 12

*Only available in a 2-way pattern