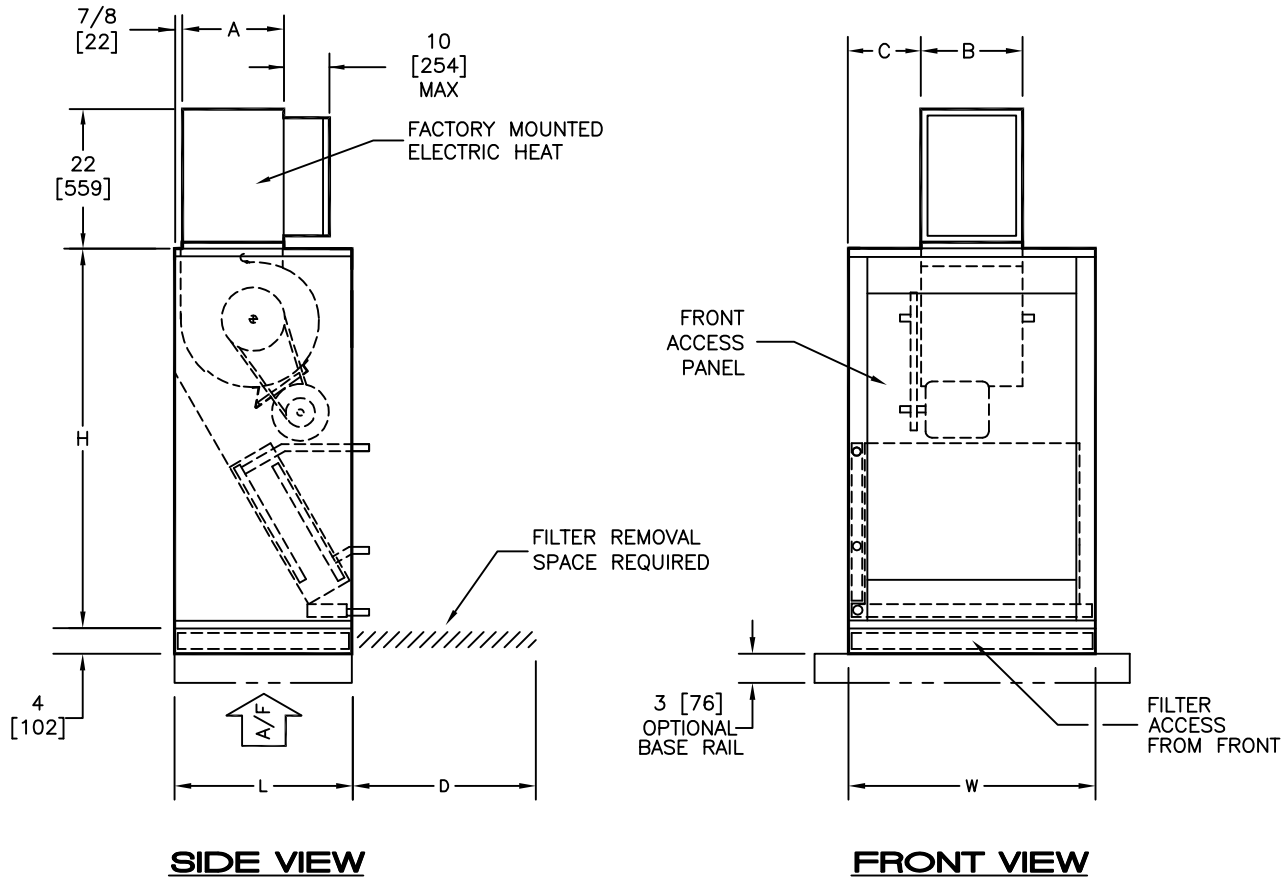
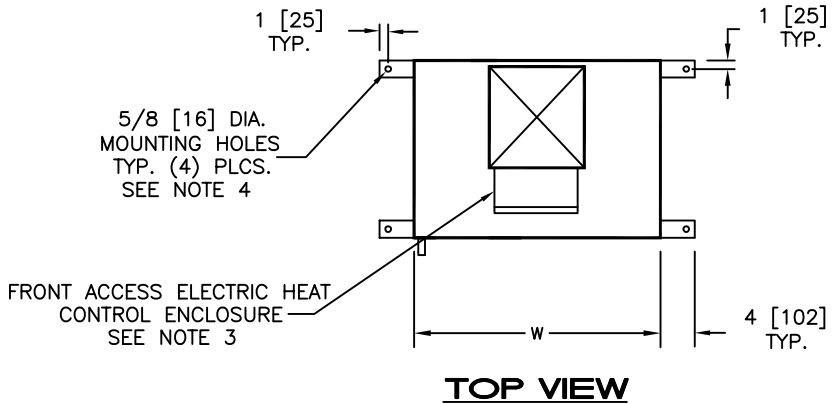


**NOTES:**

1. All dimensions are Inches [millimeters].  
All dimensions are  $\pm 1/4"$  [6mm]. Metric values are soft conversion.
2. Left hand unit shown.  
Motor/drive location may be specified Left or Right Hand. Standard control enclosure location matches motor/drive position.
3. Provide sufficient clearance to access electrical controls and comply with all applicable codes and ordinances.
4. Optional base rail designed for use with floor mount vibration isolators.
5. Blow-thru electric heat may not be combined with supply plenum or discharge section.



**DIMENSIONS - In [mm]**

UNIT SIZE	FILTER SIZE	QTY	H	W	L	A	B	C	D
08	16 X 20 X 2 [406 X 508 X 51]	1	46 [1168]	26 [660]	19 [483]	8-7/8 [226]	11-7/8 [302]	7-1/16 [180]	16 [406]
12	20 X 20 X 2 [508 X 508 X 51]	1	46 [1168]	26 [660]	21 [533]	8-7/8 [226]	11-7/8 [302]	7-1/16 [180]	20 [508]
16	24 X 24 X 2 [610 X 610 X 51]	1	54 [1372]	29 [737]	25 [635]	10-7/8 [277]	12 [305]	8-1/2 [216]	24 [610]
20	24 X 24 X 2 [610 X 610 X 51]	1	54 [1372]	29 [737]	28 [711]	13-7/8 [353]	14 [356]	7-1/2 [190]	24 [610]
25	24 X 24 X 2 [610 X 610 X 51]	1 EACH	60 [1524]	39 [991]	28 [711]	13-7/8 [353]	16-5/8 [422]	11-1/16 [281]	24 [610]
30	12 X 24 X 2 [305 X 610 X 51]	1 EACH	60 [1524]	39 [991]	28 [711]	15 5/8 [397]	16-5/8 [422]	11-1/16 [281]	24 [610]

**TITLE:**  
 MODEL VB SERIES "C"  
 BELT DRIVE BLOWER COIL UNIT  
 BASIC UNIT - DISCHARGE ARG. 1  
 WITH BLOW-THRU ELECTRIC HEAT



DRN BY: JCR	DATE: 4/5/06	SCALE: NA	DRAWING NO.
CKD BY: MIKE H	DATE: 12/17/06	REV: 01	52-80011

THIS DRAWING CONTAINS PROPRIETARY DATA.  
 UNAUTHORIZED DISCLOSURE, REPRODUCTION, OR USE  
 IS STRICTLY PROHIBITED WITHOUT WRITTEN PERMISSION

DO NOT SCALE DRAWING  
 DIMENSIONS AND DATA ARE SUBJECT TO CHANGE WITHOUT NOTICE.  
 CONTACT FACTORY FOR CERTIFIED DRAWINGS.