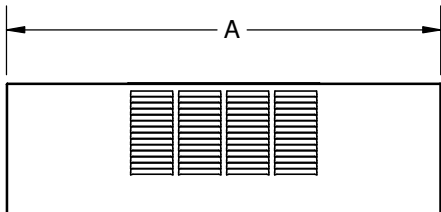
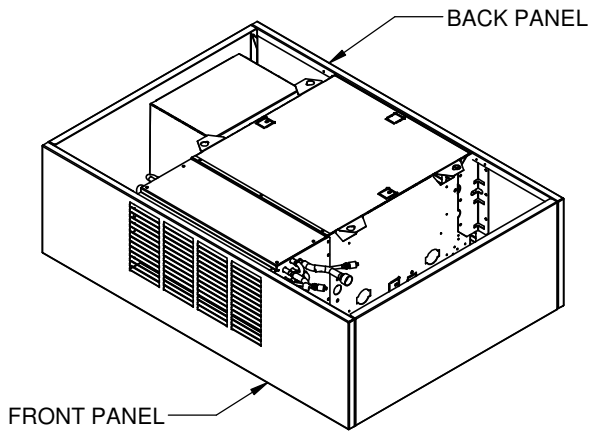
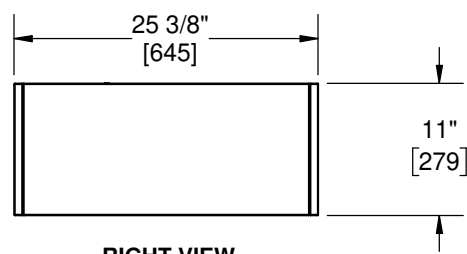


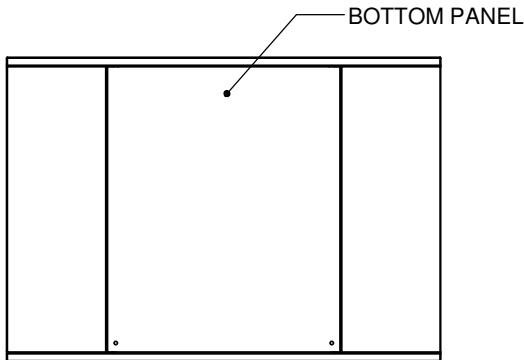
TOP VIEW



FRONT VIEW



RIGHT VIEW



BOTTOM VIEW

DIMENSIONS		
UNIT SIZE	A	B
02	36 1/4" [921]	17 1/4" [438]
03	39 1/2" [1003]	20 1/2" [521]
04	44 1/2" [1130]	25 1/2" [648]
06	51 1/4" [1302]	32 1/4" [819]
08	58 1/4" [1480]	39 1/4" [997]
09	62 1/2" [1588]	43 1/2" [1105]
10	72 1/4" [1835]	53 1/4" [1353]
12	80 1/4" [2038]	61 1/4" [1556]

NOTES:

1. All dimensions are inches [millimeters]. All dimensions $\pm 1/4"$ [6mm]. Metric values are soft conversions.
2. Left hand unit shown, right hand unit opposite.
3. Provide sufficient clearance to access electrical controls and comply with applicable codes and ordinances.
4. Drain piping should be routed through casing opening indicated to provide proper slope.
5. Bottom panel removable for access to filter and fan assembly.
6. Corner panels are removable to access electrical enclosure, coil and valve pack.
7. Internal insulation of field piping may be required.
8. Field piping casing penetrations must be cut in the field to match individual job requirements.
9. All dimensions also apply to units with Electric Heat Only.

UNCONTROLLED WHEN PRINTED



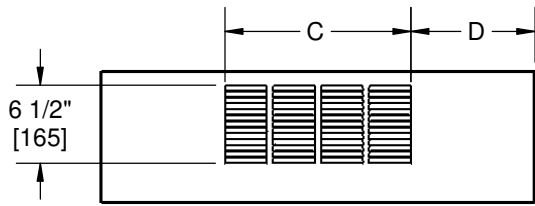
THIS DRAWING CONTAINS PROPRIETARY DATA. UNAUTHORIZED DISCLOSURE, REPRODUCTION, OR USE IS STRICTLY PROHIBITED WITHOUT WRITTEN PERMISSION.

SUBMITTAL DRAWING
ALL DRAWINGS ARE SUBJECT TO CHANGE WITHOUT PRIOR NOTICE

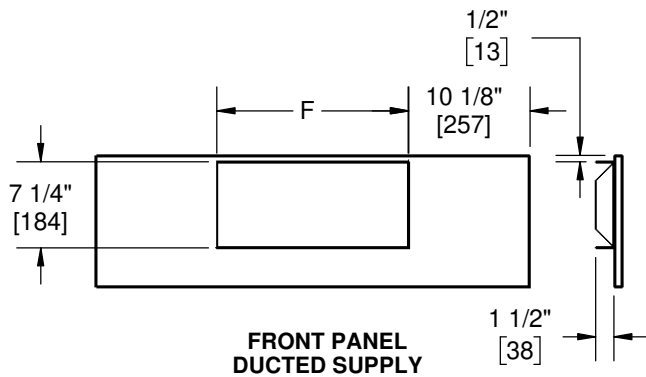
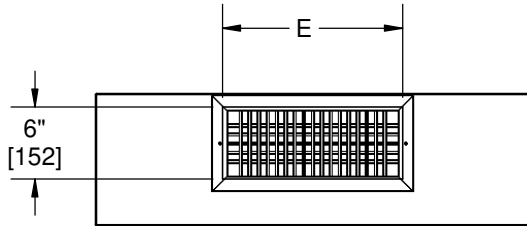
DO NOT SCALE DRAWING
DIMENSIONS ARE IN INCH [MM] FORMAT +/- 1/8 [3] UNLESS OTHERWISE NOTED

TITLE: **MODEL HLE EXPOSED FAN COIL UNIT SERIES D REAR RETURN**

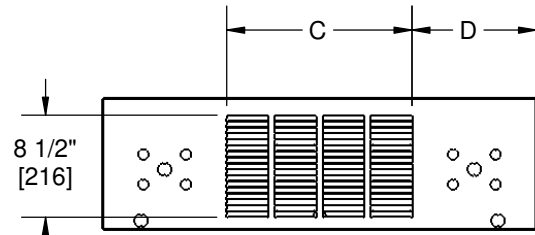
DATE	SHEET	DRAWING NO	REV
10/4/19	PAGE 1 OF 2	47-80116	A



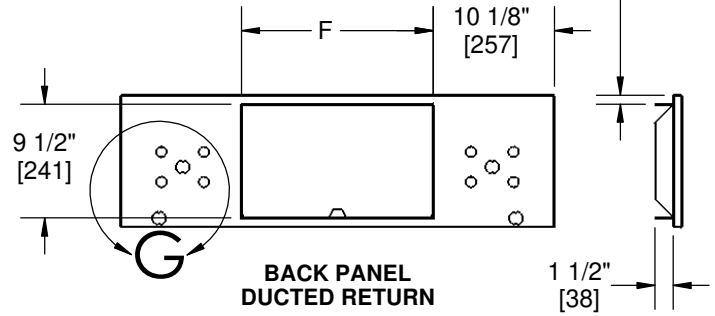
**FRONT PANEL
LOUVERED SUPPLY**



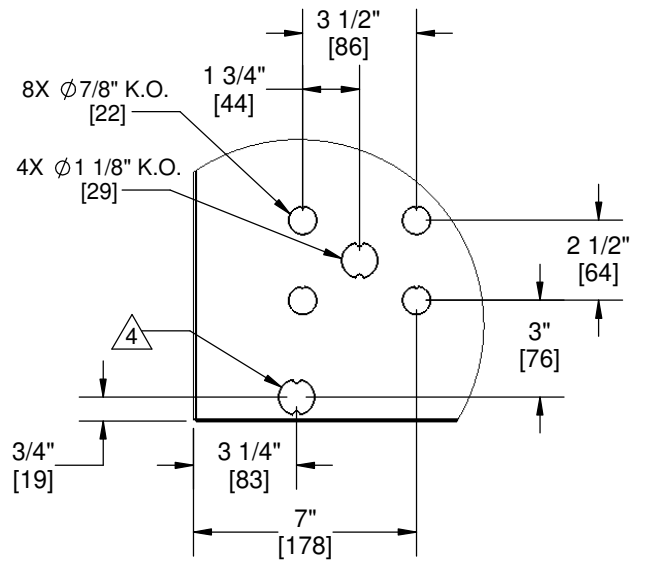
**FRONT PANEL
DUCTED SUPPLY**



**BACK PANEL
LOUVERED RETURN**



**BACK PANEL
DUCTED RETURN**



DETAIL G

DIMENSIONS

UNIT SIZE	C	D	E	F
02	15 1/2" [394]	10 3/8" [264]	15" [381]	16" [406]
03	15 1/2" [394]	12" [305]	18" [457]	19 1/4" [489]
04	23 1/2" [597]	10 1/2" [267]	23" [584]	24 1/4" [616]
06	27 1/2" [699]	11 7/8" [302]	30" [762]	31" [787]
08	35 1/2" [902]	11 3/8" [289]	37" [940]	38" [965]
09	39 1/2" [1003]	11 1/2" [292]	41" [1041]	42 1/4" [1073]
10	51 1/2" [1308]	10 3/8" [264]	23" [584]	52" [1321]
12	59 1/2" [1511]	10 3/8" [264]	27" [686]	60" [1524]

NOTES:

1. All dimensions are inches [millimeters]. All dimensions $\pm 1/4"$ [6mm]. Metric values are soft conversions.
2. Left hand unit shown, right hand unit opposite.
3. Provide sufficient clearance to access electrical controls and comply with applicable codes and ordinances.
4. Drain piping should be routed through casing opening indicated to provide proper slope.
5. Bottom panel removable for access to filter and fan assembly.
6. Corner panels are removable to access electrical enclosure, coil and valve pack.
7. Internal insulation of field piping may be required.
8. Field piping casing penetrations must be cut in the field to match individual job requirements.
9. All dimensions also apply to units with Electric Heat Only.

UNCONTROLLED WHEN PRINTED



THIS DRAWING CONTAINS PROPRIETARY DATA. UNAUTHORIZED DISCLOSURE, REPRODUCTION, OR USE IS STRICTLY PROHIBITED WITHOUT WRITTEN PERMISSION.

SUBMITTAL DRAWING
ALL DRAWINGS ARE SUBJECT TO CHANGE WITHOUT PRIOR NOTICE

DO NOT SCALE DRAWING
DIMENSIONS ARE IN INCH [MM] FORMAT +/- 1/8 [3] UNLESS OTHERWISE NOTED

TITLE: **MODEL HLE EXPOSED FAN COIL UNIT
SERIES D REAR RETURN**

DATE	SHEET	DRAWING NO	REV
10/4/19	PAGE 2 OF 2	47-80116	A