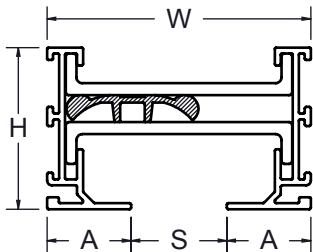
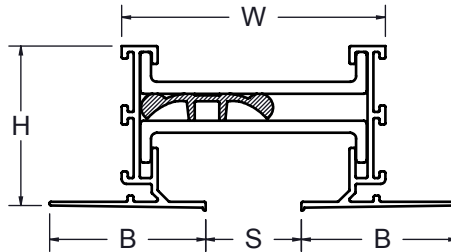


- Pattern controller and frames are extruded aluminum
- Maximum 1-piece unit is 72 inches; longer units ship in multiple sections
- Interior is painted black, exposed flanges are painted white (margins S & N are painted black)
- Adjustable pattern controllers allow for horizontal or vertical throw

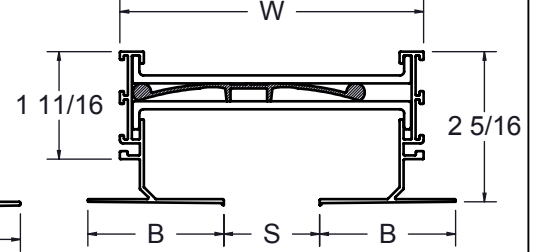
Margin Style L



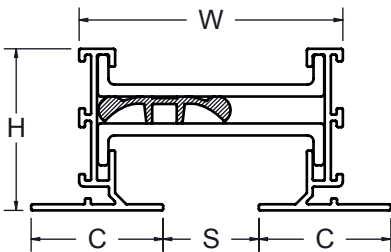
Margin Style S
Slot Width Less Than or Equal to 2"



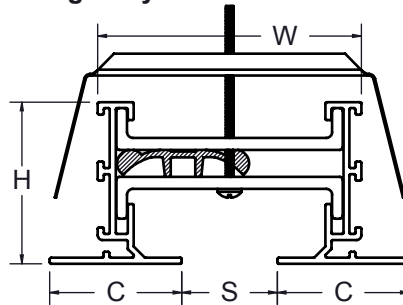
Margin Style S
Slot Width Greater Than 2"



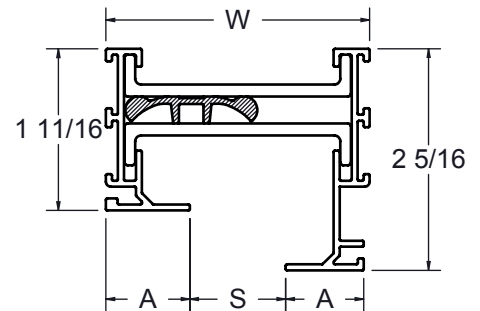
Margin Style B



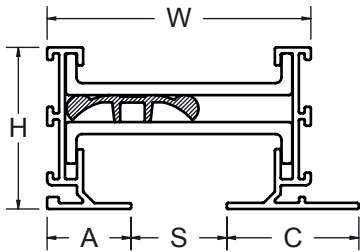
Margin Style C



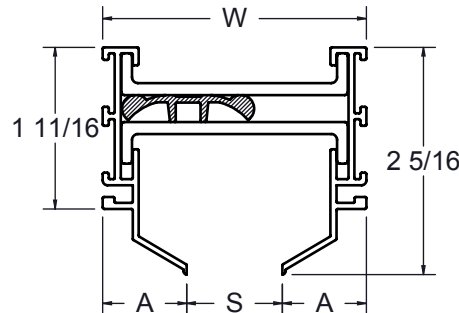
Margin Style D



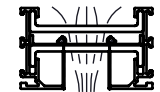
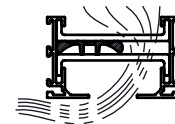
Margin Style E



Margin Type N



Pattern Controllers



Uniflex

Control Line

S	W	A	B	C	H
Slot Width	Width	Margin Width			Height
1	2 3/4	7/8	1 5/8	1 3/8	1 11/16
1 1/2	3 3/4	1 1/8	1 7/8	1 5/8	1 11/16
2	4 3/4	1 3/8	2 1/8	1 7/8	1 11/16
2 1/2	5 3/4	1 5/8	2 1/8	2 1/8	2 5/16
3	6 3/4	1 7/8	2 3/8	2 3/8	2 5/16

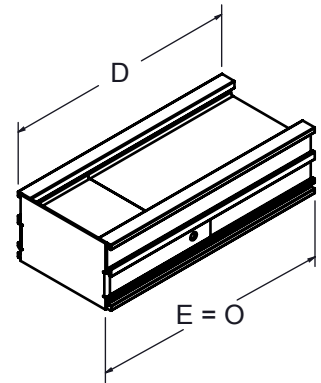
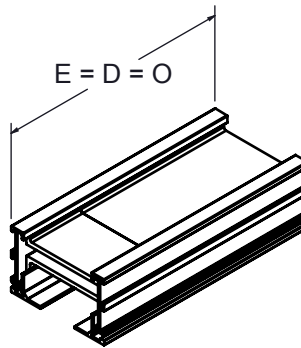
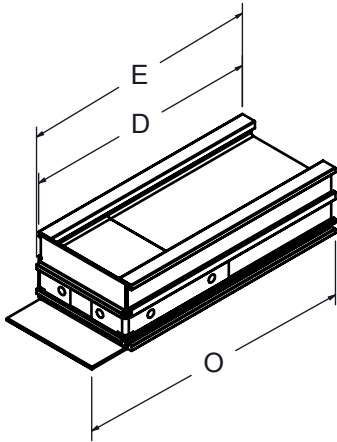
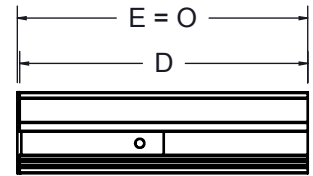
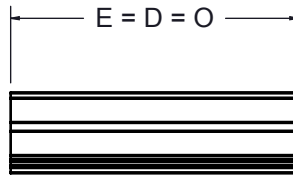
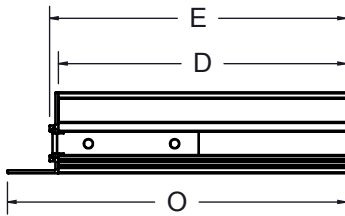
Dimensions in inches

Job: _____
 Location: _____
 Architect: _____
 Engineer: _____
 Contractor: _____

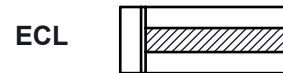
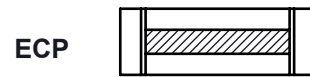
Tag: _____
 Submitted By: _____
 SD - 2094 Rev: F (06/14)

AIR-TRAC™
Architectural Linear Diffuser
1-Slot

End Fabrication Styles



Margin Style		L,B,E,C	S,D,N
ECP*	E	D + 3/8	N/A
	O	D + 2 1/8	N/A
ECL*	E	D + 3/16	N/A
	O	D + 1 1/16	N/A
INT	E	D	D
	O	D	D
FECF	E	D + 1/8	D + 1/8
	O	D + 1/8	D + 1/8
FECL	E	D + 1/16	D + 1/16
	O	D + 1/16	D + 1/16



* ECP and ECL not available for margin styles S, D, or N.

For available mounting options for each margin style, reference SD-2097.

For lay-in applications with a 48" panel size, order margin L, FECF, length 47 5/8" (47.625").

Units will ship WITHOUT mounting clips unless specified otherwise.

Dimensions in inches

Job: _____	Tag: _____	AIR-TRAC™ Architectural Linear Diffuser 1-Slot
Location: _____	Submitted By: _____	
Architect: _____		
Engineer: _____		
Contractor: _____	SD - 2094	Rev: F (06/14)