

NOTES:

1. All dimensions are inches [millimeters]
All dimensions $\pm 1/2$ [13mm].
Metric values are soft conversion.
2. All drawings subject to change without notice.
3. Model "HLP" unit shown, typical for model "HLF" units. Connections shown are internal on "HLE" units.
4. Connection Size:
Chilled Water: 7/8 ODM (3/4" NOM.)
Hot Water: 5/8 ODM (1/2" NOM.)
5. Standard externally foam coated galvanize steel drain pan has 7/8" ODM copper outlet. Stainless steel drain pan has 3/4" MPT galvanize steel outlet.
6. Aux. drain outlet is 5/8" ODM copper or 3/8" MPT galvanized steel respectively. Aux. drain outlet is always on viewer's left when facing outlet end of drain pan, regardless of unit hand.

Unit Type	Coil Rows	A
2 Pipe Heating	1	1" [25]
	2	7/8" [22]
2 Pipe Cooling	2	1 1/8" [29]
	3	1 3/4" [44]
	4	2 5/8" [67]
	5	3 1/2" [89]
	6	4 3/8" [111]



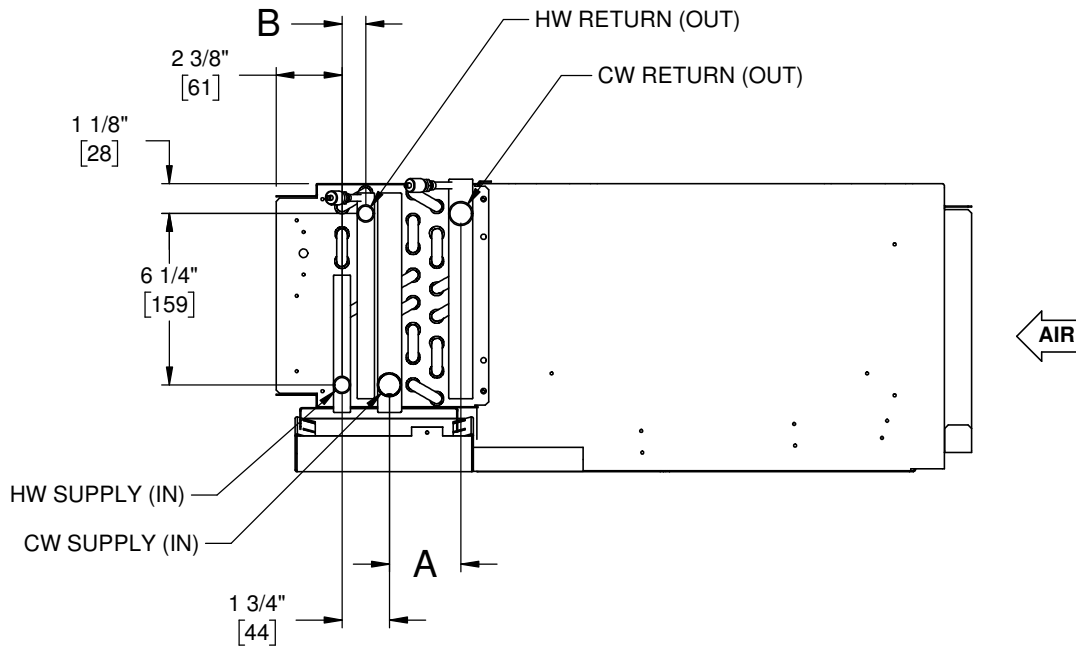
THIS DRAWING CONTAINS PROPRIETARY DATA. UNAUTHORIZED DISCLOSURE, REPRODUCTION, OR USE IS STRICTLY PROHIBITED WITHOUT WRITTEN PERMISSION.

SUBMITTAL DRAWING
ALL DRAWINGS ARE SUBJECT TO CHANGE WITHOUT PRIOR NOTICE

DO NOT SCALE DRAWING
DIMENSIONS ARE IN INCH [MM] FORMAT +/- 1/8 [3] UNLESS OTHERWISE NOTED

TITLE: **MODEL HLP/F FAN COIL UNIT SERIES D WATER COIL CONNECTION LOCATIONS**

DATE	SHEET	DRAWING NO	REV
01/12/18	PAGE 1 OF 3	47-80115	01



4 PIPE RE-HEAT LEFT HAND

NOTES:

1. All dimensions are inches [millimeters]
All dimensions $\pm 1/2$ [13mm].
Metric values are soft conversion.
2. All drawings subject to change without notice.
3. Model "HLP" unit shown, typical for model "HLF" units. Connections shown are internal on "HLE" units.
4. Connection Size:
Chilled Water: 7/8 ODM (3/4" NOM.)
Hot Water: 5/8 ODM (1/2" NOM.)
5. Standard externally foam coated galvanize steel drain pan has 7/8" ODM copper outlet. Stainless steel drain pan has 3/4" MPT galvanize steel outlet.
6. Aux. drain outlet is 5/8" ODM copper or 3/8" MPT galvanized steel respectively. Aux. drain outlet is always on viewer's left when facing outlet end of drain pan, regardless of unit hand.

4 Pipe Re-Heat

Coil 1 Rows	A	Coil 2 Rows	B
2	1 1/8" [29]	1	1" [25]
3	1 3/4" [44]	1	1" [25]
4	2 5/8" [67]	1	1" [25]
5	3 1/2" [89]	1	1" [25]
2	1 1/8" [29]	2	7/8" [22]
3	1 3/4" [44]	2	7/8" [22]
4	2 5/8" [67]	2	7/8" [22]



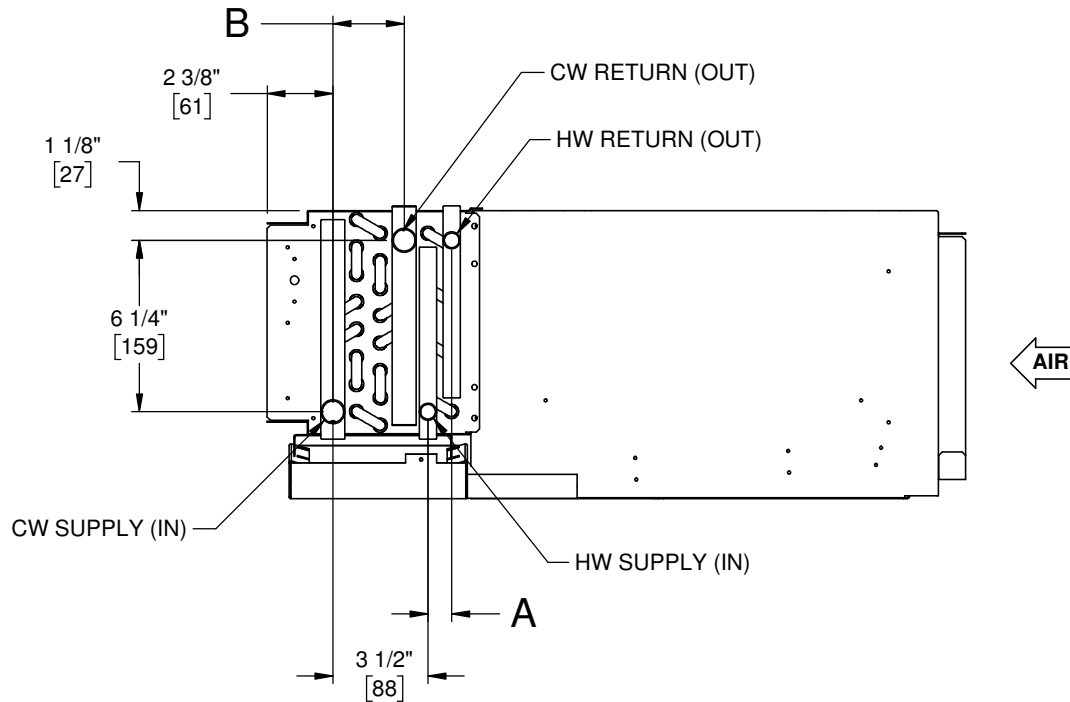
THIS DRAWING CONTAINS PROPRIETARY DATA. UNAUTHORIZED DISCLOSURE, REPRODUCTION, OR USE IS STRICTLY PROHIBITED WITHOUT WRITTEN PERMISSION.

SUBMITTAL DRAWING
ALL DRAWINGS ARE SUBJECT TO CHANGE WITHOUT PRIOR NOTICE

DO NOT SCALE DRAWING
DIMENSIONS ARE IN INCH (MM) FORMAT
+/- 1/8 (3) UNLESS OTHERWISE NOTED

**TITLE: MODEL HLP/F FAN COIL UNIT SERIES D
WATER COIL CONNECTION LOCATIONS**

DATE	SHEET	DRAWING NO	REV
01/12/18	PAGE 2 OF 3	47-80115	01



4 PIPE PRE-HEAT LEFT HAND

NOTES:

1. All dimensions are inches [millimeters]
All dimensions $\pm 1/2$ [13mm].
Metric values are soft conversion.
2. All drawings subject to change without notice.
3. Model "HLP" unit shown, typical for model "HLF" units. Connections shown are internal on "HLE" units.
4. Connection Size:
Chilled Water: 7/8 ODM (3/4" NOM.)
Hot Water: 5/8 ODM (1/2" NOM.)
5. Standard externally foam coated galvanize steel drain pan has 7/8" ODM copper outlet. Stainless steel drain pan has 3/4" MPT galvanize steel outlet.
6. Aux. drain outlet is 5/8" ODM copper or 3/8" MPT galvanized steel respectively. Aux. drain outlet is always on viewer's left when facing outlet end of drain pan, regardless of unit hand.

4 Pipe Pre-Heat			
Coil 1 Rows	A	Coil 2 Rows	B
1	1" [25]	2	1 1/8" [29]
1	1" [25]	3	1 3/4" [44]
1	1" [25]	4	2 5/8" [67]
1	1" [25]	5	3 1/2" [89]
2	7/8" [22]	2	1 1/8" [29]
2	7/8" [22]	3	1 3/4" [44]
2	7/8" [22]	4	2 5/8" [67]



THIS DRAWING CONTAINS PROPRIETARY DATA. UNAUTHORIZED DISCLOSURE, REPRODUCTION, OR USE IS STRICTLY PROHIBITED WITHOUT WRITTEN PERMISSION.

SUBMITTAL DRAWING
ALL DRAWINGS ARE SUBJECT TO CHANGE WITHOUT PRIOR NOTICE

DO NOT SCALE DRAWING
DIMENSIONS ARE IN INCH [MM] FORMAT
+/- 1/8 [3] UNLESS OTHERWISE NOTED

**TITLE: MODEL HLP/F FAN COIL UNIT SERIES D
WATER COIL CONNECTION LOCATIONS**

DATE	SHEET	DRAWING NO	REV
01/12/18	PAGE 3 OF 3	47-80115	01