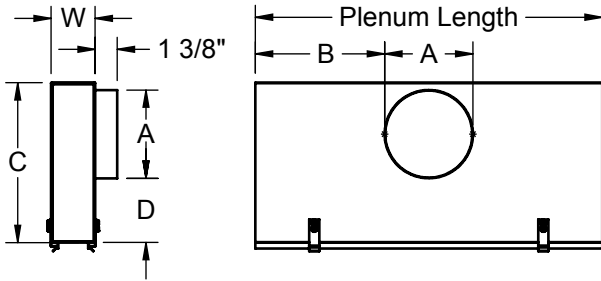


### Model LP Plenum for AIR-TRAC™ Linear Diffusers, Margin Styles L, D, E, S, N, B



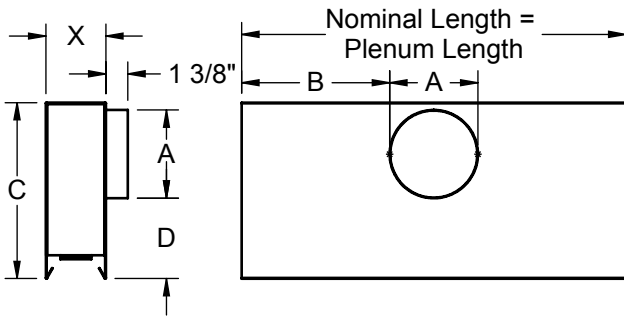
#### Options:

1/4" Thick Fiberglass Insulation  
(Endcaps Not Insulated)

Standard Inlet Size	A	B	C	D
6	5 7/16	8 5/32, 14 5/32, 20 5/32, 26 5/32	10	4
8	7 7/16	7 5/32, 13 5/32, 19 5/32, 25 5/32	10	2
10	9 7/16	6 5/32, 12 5/32, 18 5/32, 24 5/32	12	2
12	11 7/16	5 5/32, 11 5/32, 17 5/32, 23 5/32	14	2

Slot Width	W, Width from Slot Number and Type			Nominal Length	Standard Available Inlets	Plenum Length
	1-Slot	2-Slot, 2C	2-Slot, 2A/B			
1	2 3/4	6 1/8	5 1/4	24, 36, 48, 60	6, 8, 10, 12	21 3/4, 33 3/4, 45 3/4, 57 3/4
1 1/2	3 3/4	8 1/8	7 1/4			
2	4 3/4	10 1/8	9 1/4			
2 1/2	5 3/4	12 1/8	11 1/4			
3	6 3/4	14 1/8	13 1/4			

### Model LP Plenum for AIR-TRAC™ Linear Diffusers, Margin Style C Only



Standard Inlet Size	A	B	C	D
6	5 7/16	9 9/32, 15 9/32, 21 9/32, 27 9/32	11	4
8	7 7/16	8 9/32, 14 9/32, 20 9/32, 26 9/32	11	2
10	9 7/16	7 9/32, 13 9/32, 19 9/32, 25 9/32	13	2
12	11 7/16	6 9/32, 12 9/32, 18 9/32, 24 9/32	15	2

Slot Width	X, Width from Slot Number and Type			Nominal Length	Standard Available Inlets	Plenum Length
	1-Slot	2-Slot, 2C	2-Slot, 2A/B			
1	3 3/4	7 1/16	6 3/16	24, 36, 48, 60	6, 8, 10, 12	24, 36, 48, 60
1 1/2	4 3/4	9 1/16	8 3/16			
2	5 3/4	11 1/16	10 3/16			
2 1/2	6 3/4	13 1/16	12 3/16			
3	7 3/4	15 1/16	14 3/16			

#### Options:

1/4" Thick Fiberglass Insulation  
(Endcaps Not Insulated)

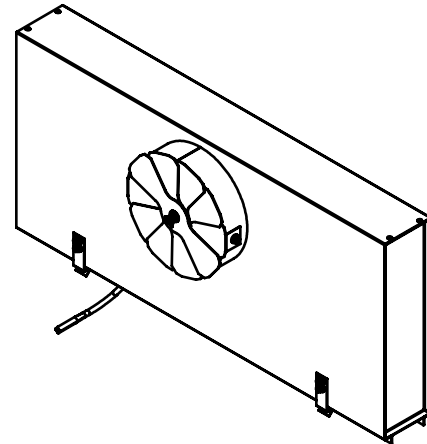
Dimensions in inches

Job: _____	Tag: _____	<b>AIR-TRAC™</b> <b>LP Plenums</b> <b>Round Inlets</b>
Location: _____	Submitted By: _____	
Architect: _____		
Engineer: _____		
Contractor: _____	SD - 2320	Rev: B (03/19)

## Cable Operated Damper (COD) Accessory

Damper is  
Factory Mounted  
to Round Plenum Inlet

Nominal Inlet  
Size - 1/4"



Cable is operated  
with standard flat-head  
screwdriver

Heavy Duty Braided Steel Cable is used  
to adjust Damper and stows in Plenum  
or Diffuser when not in use

*Dimensions in inches*

Job: \_\_\_\_\_  
Location: \_\_\_\_\_  
Architect: \_\_\_\_\_  
Engineer: \_\_\_\_\_  
Contractor: \_\_\_\_\_

Tag: \_\_\_\_\_  
Submitted By: \_\_\_\_\_  
SD - 2320      Rev: B (03/19)

**AIR-TRAC™**  
**LP Plenums**  
**Round Inlets**