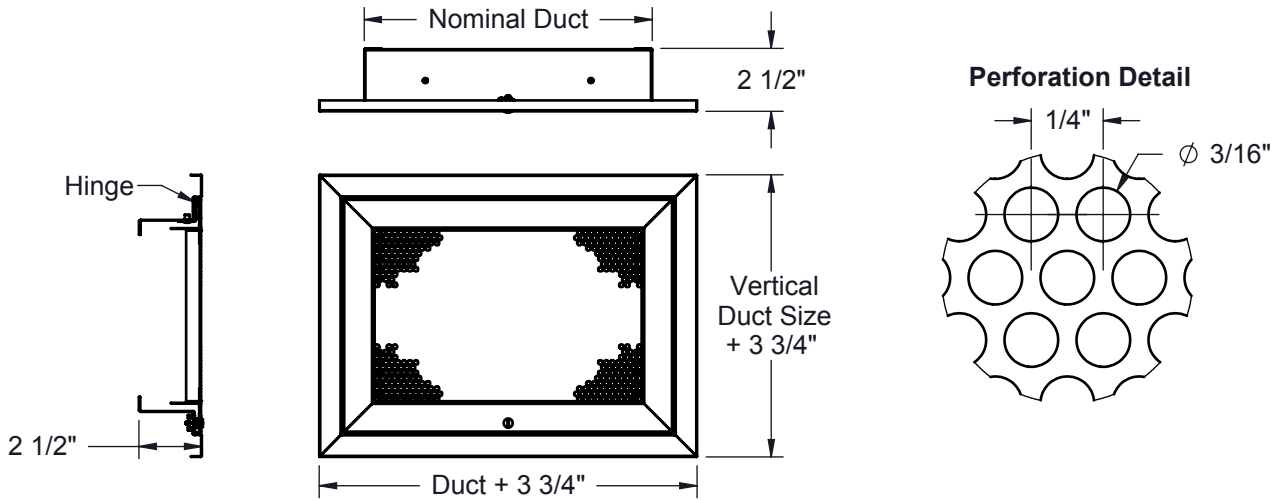


- Perforated face has 3/16" holes on 1/4" staggered centers (51% free area)
- Hinges on removable face can be positioned on top/bottom (long side) or left/right (short side)
- Face bars spaced on 3/4" centers
- 1" filter frame standard; optional 2" available (filters furnished by others)
- Aluminum construction
- Standard finish is white

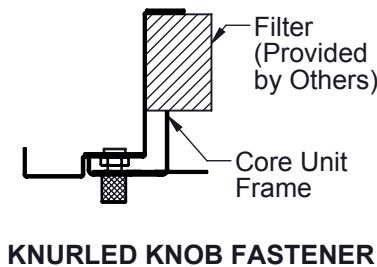
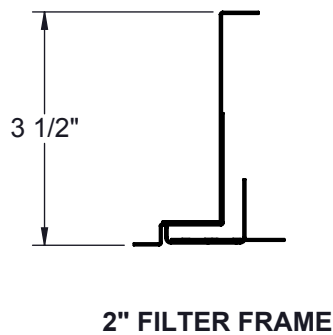
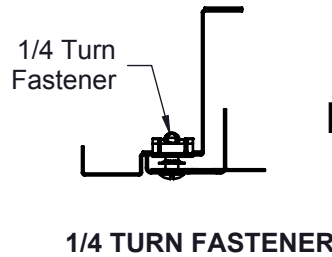
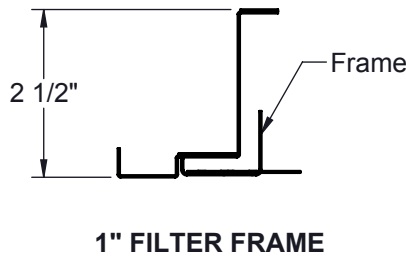


### Hinge Options

- Top/Bottom (Long Side)
- Left/Right (Short Side)

### Finishes

- WH - White
- ML - Mill
- AP - Aluminum Paint
- OW - Off-White
- FB - Flat Black
- MP - Match Paint



Dimensions in inches

Job: _____	Tag: _____	<b>APGFB</b> <b>Perforated Return Grille</b> <b>with Filter Frame, Aluminum</b>
Location: _____	Submitted By: _____	
Architect: _____		
Engineer: _____		
Contractor: _____	SD - 1820	Rev: A (03/11)

These drawings do not detail every aspect of the product. This submittal demonstrates general product dimensions; drawings are not to scale. Tuttle & Bailey reserves the right to make changes without notice. Copyright © 2011 Tuttle & Bailey www.tuttleandbailey.com