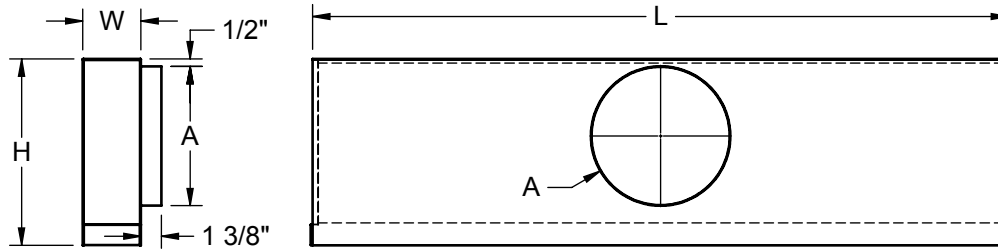


- Constructed from galvanized steel
- Standard nominal lengths are 24, 36, 48, and 60 inches
- Optional internal insulation (does not include endcaps)
- Optional factory mounted cable operated damper



Dimensions in inches

Standard Inlet Sizes	A
6	5 7/16
8	7 7/16
10	9 7/16
12	11 7/16

### Slot Widths

1/2"    3/4"    1"  
1 1/2"    2"

### Margin Style

A    B  
C    F  
G    N  
S    T

### Standard Lengths

24"    36"    48"  
60"    72"

### End Fabrication

ECP  
ECL / ECR  
INT  
FECP

Margin Style	End Fabrication	L
A, B, C, N, S, T	ECP, ECL/R	N - 7/8
	INT, FECP	N - 1/4
F, G	ALL TYPES	N - 1/4

Margin Style	Inlet Size	H
A, B, C, N, S, T	6", 8"	10 5/8
	10"	12 5/8
	12"	14 5/8
F, G	6", 8"	11
	10"	13
	12"	15

### Standard Inlets

6    8  
10    12

### Options

Insulation

Margin Style	Slot Width	W							
		Number of Slots							
		1	2	3	4	5	6	7	8
A, B, N, S, T	1/2	1 7/16	2 11/16	3 15/16	5 3/16	6 7/16	7 11/16	8 15/16	10 3/16
	3/4	1 11/16	3 3/16	4 11/16	6 3/16	7 11/16	9 3/16	10 11/16	12 3/16
	1	1 15/16	3 11/16	5 7/16	7 3/16	8 15/16	10 11/16	12 7/16	14 3/16
	1 1/2	2 7/16	4 11/16	6 15/16	9 3/16	11 7/16	13 11/16	15 15/16	18 3/16
	2	2 15/16	5 11/16	8 7/16	11 3/16	13 15/16	16 11/16	19 7/16	22 3/16
C, F, G	1/2	2 3/16	3 7/16	4 11/16	5 15/16	7 3/16	8 7/16	9 11/16	10 15/16
	3/4	2 7/16	3 15/16	5 7/16	6 15/16	8 7/16	9 15/16	11 7/16	12 15/16
	1	2 11/16	4 7/16	6 3/16	7 15/16	9 11/16	11 7/16	13 3/16	14 15/16
	1 1/2	3 3/16	5 7/16	7 11/16	9 15/16	12 3/16	14 17/16	16 11/16	18 15/16
	2	3 11/16	6 7/16	9 3/16	11 15/16	14 11/16	17 7/16	20 3/16	22 15/16

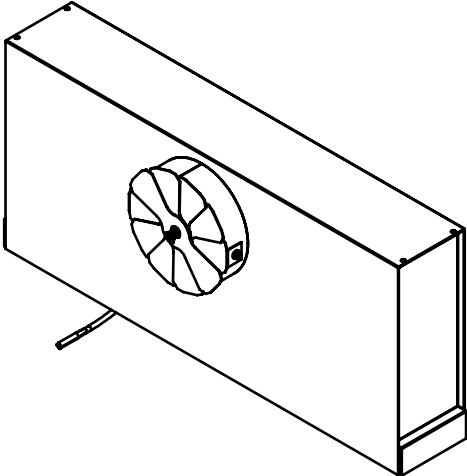
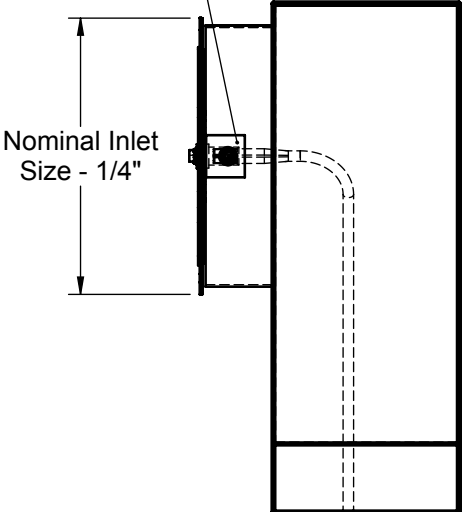
Job: \_\_\_\_\_  
 Location: \_\_\_\_\_  
 Architect: \_\_\_\_\_  
 Engineer: \_\_\_\_\_  
 Contractor: \_\_\_\_\_

Tag: \_\_\_\_\_  
 Submitted By: \_\_\_\_\_  
 SD - 2309    Rev: A (10/18)

**LP**  
**6000 Plenum**  
**with Round Inlets**

**Cable Operated Damper (COD) Accessory**

Damper is  
Factory Mounted  
to Round Plenum Inlet



Cable is operated  
with standard flat-head  
screwdriver

Heavy Duty Braided Steel Cable is used  
to adjust Damper and stows in Plenum  
or Diffuser when not in use

*Dimensions in inches*

Job: \_\_\_\_\_  
 Location: \_\_\_\_\_  
 Architect: \_\_\_\_\_  
 Engineer: \_\_\_\_\_  
 Contractor: \_\_\_\_\_

Tag: \_\_\_\_\_  
 Submitted By: \_\_\_\_\_  
 SD - 2309      Rev: A (10/18)

**LP**  
**6000 Plenum**  
**with Round Inlets**

These drawings do not detail every aspect of the product. This submittal demonstrates general product dimensions; drawings are not to scale. Tuttle & Bailey reserves the right to make changes without notice. Copyright © 2018 Tuttle & Bailey www.tuttleandbailey.com