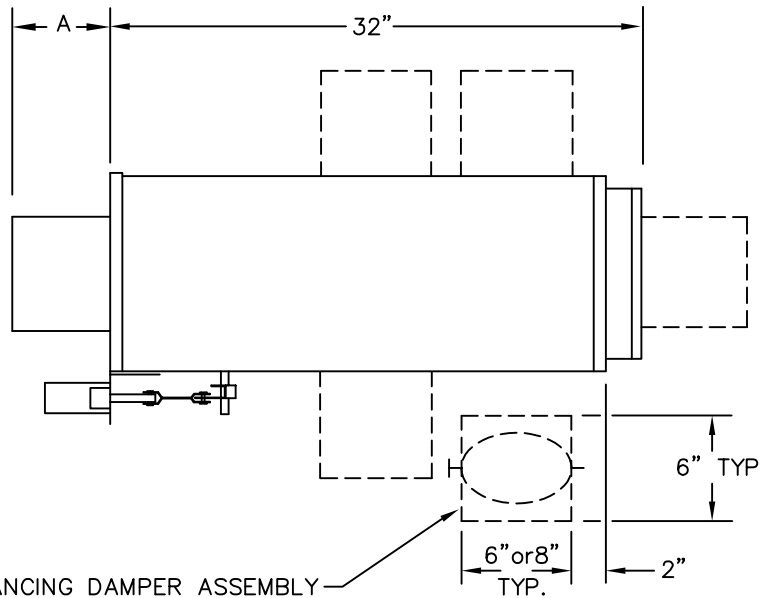
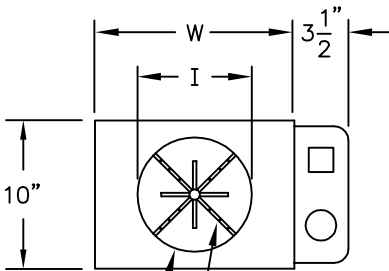


DIMENSIONAL DATA

UNIT SIZE	W	A	I
4	10 [254]	10-1/2 [267]	3-7/8 [98]
5	10 [254]	10-1/2 [267]	4-7/8 [124]
6	10 [254]	6-1/2 [165]	5-7/8 [149]
8	12 [305]	6-1/2 [165]	7-7/8 [200]

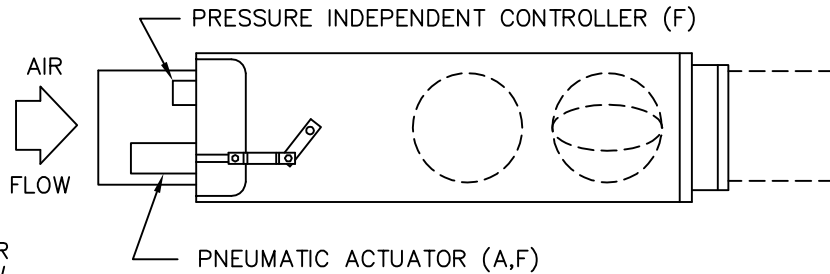


OUTLET COLLAR/BALANCING DAMPER ASSEMBLY



INLET COLLAR CENTERED ON CASING

MULTI-AXIS, CENTER AVERAGING AIRFLOW SENSOR WITH EXTERNAL BALANCING TAPS (F) (SEE NOTE 3)



COLLAR CONFIGURATION TABLE

UNIT SIZE	COLLAR SIZE	MAXIMUM COLLARS		
		PER SIDE	PER END	PER UNIT
4	6	1	1	3
	8	1	1	3
5	6	1	1	3
	8	1	1	3
6	6	2	1	5
	8	1	1	3
8	6	2	1	5
	8	1	1	3

CONSTRUCTION NOTES:

1. MATERIAL: Galvanized steel; Casing -22 gauge; Air valve casing -22 gauge.
2. INSULATION: 1/2" thick coated fiberglass complying with NFPA 90-A and UL 181.
3. AIRFLOW SENSOR: Sizes 4 & 5 utilize single-axis linear averaging type.

NOTE: All drawings subject to change without prior notice.

(A) PRESSURE DEPENDENT - SERIES SD000

(F) PRESSURE INDEPENDENT - SERIES SD400

TITLE: MODEL SDR-MOP SINGLE DUCT  
TERMINAL UNIT  
PNEUMATIC CONTROLS



DRN BY: CV	DATE: 05/16/92	SCALE: N/A	DRAWING NO.  15354
CKD BY: DPB	DATE: 4/28/09	REV: 03	