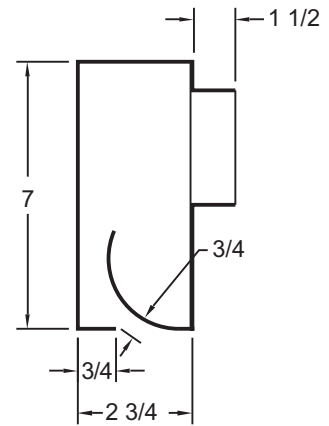
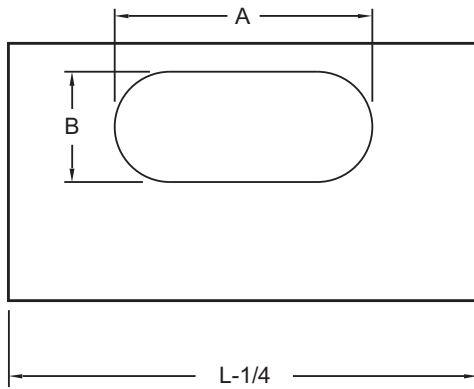




# PRODUCT DIMENSIONS

## HISD



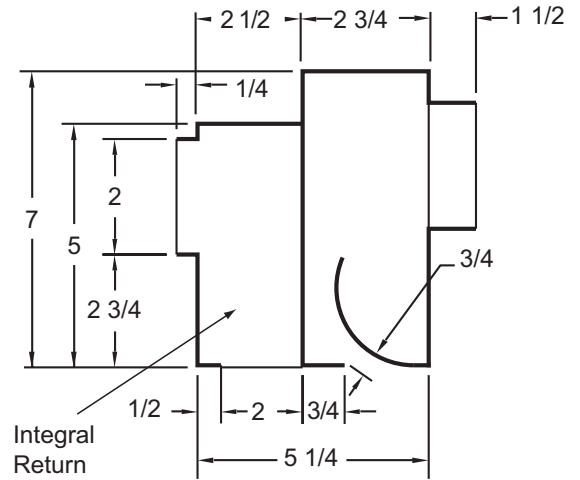
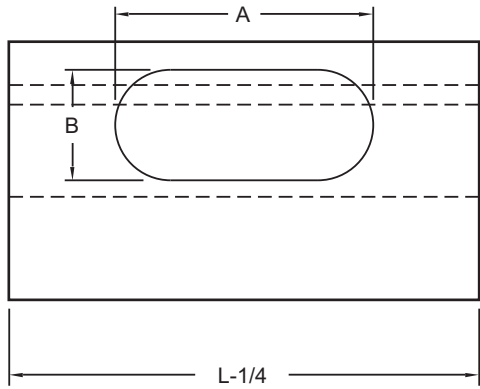
Available Inlet Sizes (in.)	Dimensions (In.)	
	A	B
6	7-9/16	3
8	10-1/16	4
10	13-1/4	4

**Available Lengths (L):**  
24", 36", 48", 60"  
24" length available in 6"  
and 8" inlets only



# PRODUCT DIMENSIONS

## HISR



Available Inlet Sizes (in.)	Dimensions (In.)	
	A	B
6	7-9/16	3
8	10-1/16	4
10	13-1/4	4

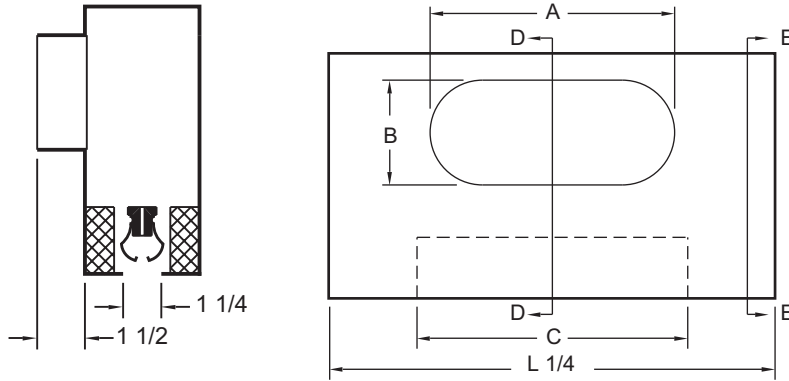
**Available Lengths (L):**  
 24", 36", 48", 60"  
 24" length available in 6"  
 and 8" inlets only



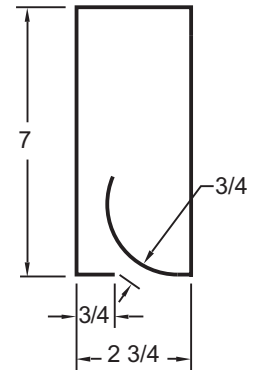
# PRODUCT DIMENSIONS

## HIDD

### Section D-D



### Section E-E



Available Inlet Sizes (in.)	Dimensions (In.)	
	A	B
6	7-9/16	3
8	10-1/16	4
10	13-1/4	4

Available Lengths (in.)	Available Down-Blow Slot Dimensions
	C
24	8
36	12, 15, 18
48	
60	

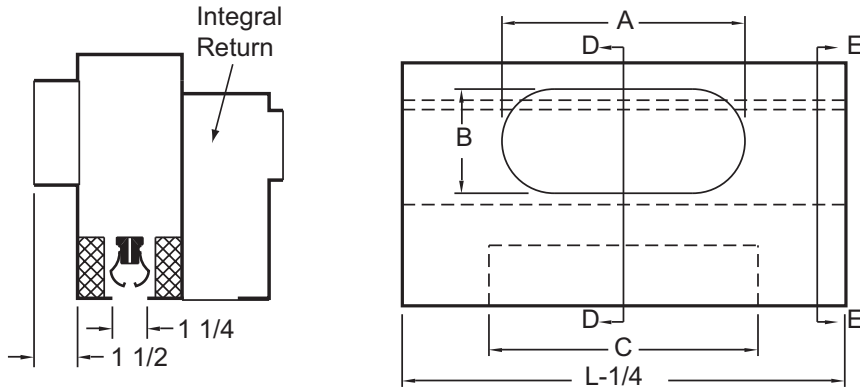
24" length available in 6" and 8" inlets only



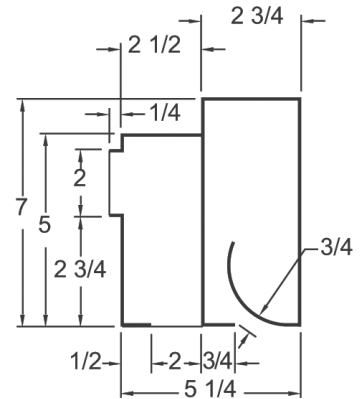
# PRODUCT DIMENSIONS

## HIDR

### Section D-D



### Section E-E



Available Inlet Sizes (in.)	Dimensions (In.)	
	A	B
6	7-9/16	3
8	10-1/16	4
10	13-1/4	4

Available Lengths (in.)	Available Down-Blow Slot Dimensions
	C
24	8
36	12, 15, 18
48	
60	

24" length available in 6" and 8" inlets only