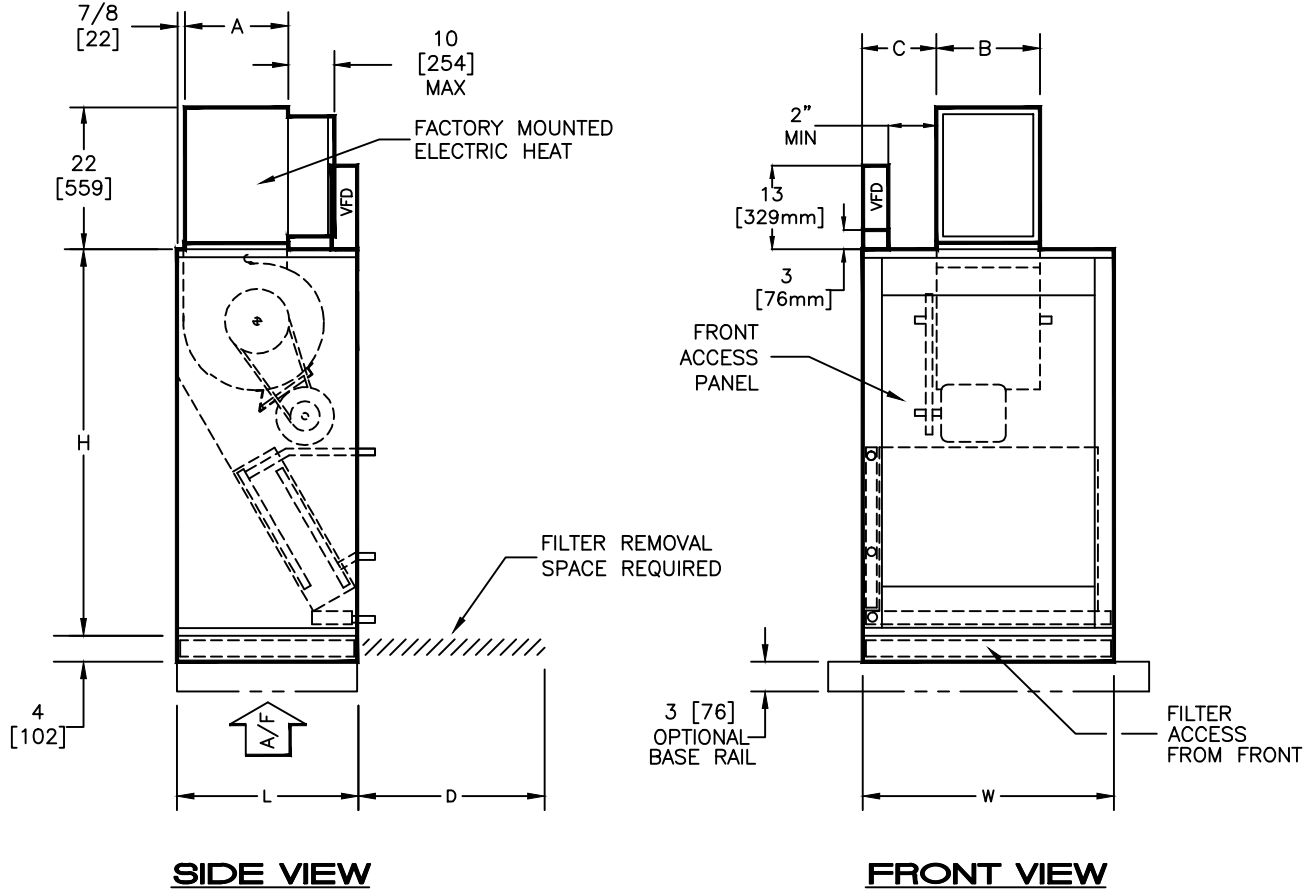
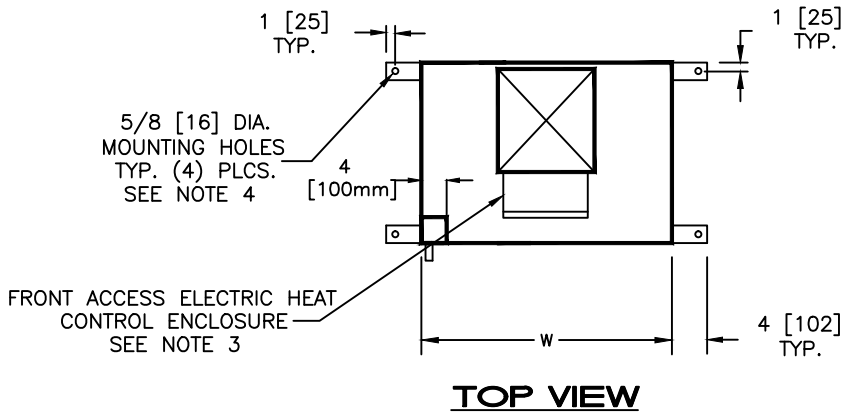


NOTES:

1. All dimensions are Inches [millimeters]. All dimensions are $\pm 1/4"$ [6mm]. Metric values are soft conversion.
2. Left hand unit shown. Motor/drive location may be specified Left or Right Hand. Standard control enclosure location matches motor/drive enclosure position.
3. Provide sufficient clearance to access electrical controls and comply with all applicable codes and ordinances.
4. Optional base rail designed for use with floor mount vibration isolators.
5. Blow-thru electric heat may not be combined with supply plenum or discharge section.



DIMENSIONS - In [mm]

UNIT SIZE	FILTER SIZE	QTY	H	W	L	A	B	C	D
08	16 X 20 X 2 [406 X 508 X 51]	1	46 [1168]	26 [660]	19 [483]	8-7/8 [226]	11-7/8 [302]	7-1/16 [180]	16 [406]
12	20 X 20 X 2 [508 X 508 X 51]	1	46 [1168]	26 [660]	21 [533]	8-7/8 [226]	11-7/8 [302]	7-1/16 [180]	20 [508]
16	24 X 24 X 2 [610 X 610 X 51]	1	54 [1372]	29 [737]	25 [635]	10-7/8 [277]	12 [305]	8-1/2 [216]	24 [610]
20	24 X 24 X 2 [610 X 610 X 51]	1	54 [1372]	29 [737]	28 [711]	13-7/8 [353]	14 [356]	7-1/2 [190]	24 [610]
25	24 X 24 X 2 [610 X 610 X 51]	1 EACH	60 [1524]	39 [991]	28 [711]	13-7/8 [353]	16-5/8 [422]	11-1/16 [281]	24 [610]
30	12 X 24 X 2 [305 X 610 X 51]	1 EACH	60 [1524]	39 [991]	28 [711]	15 5/8 [397]	16-5/8 [422]	11-1/16 [281]	24 [610]

TITLE:

MODEL VB SERIES "C"
BELT DRIVE BLOWER COIL UNIT WITH VFD
BASIC UNIT - DISCHARGE ARGT. 1
WITH BLOW-THRU ELECTRIC HEAT



DRN BY: GMA	DATE: 10/21/16	SCALE: NA	DRAWING NO.
CKD BY: ML	DATE: 10/21/16	REV: 00	

52-80025

THIS DRAWING CONTAINS PROPRIETARY DATA. UNAUTHORIZED DISCLOSURE, REPRODUCTION, OR USE IS STRICTLY PROHIBITED WITHOUT WRITTEN PERMISSION.

DO NOT SCALE DRAWING. DIMENSIONS AND DATA ARE SUBJECT TO CHANGE WITHOUT NOTICE. CONTACT FACTORY FOR CERTIFIED DRAWINGS.