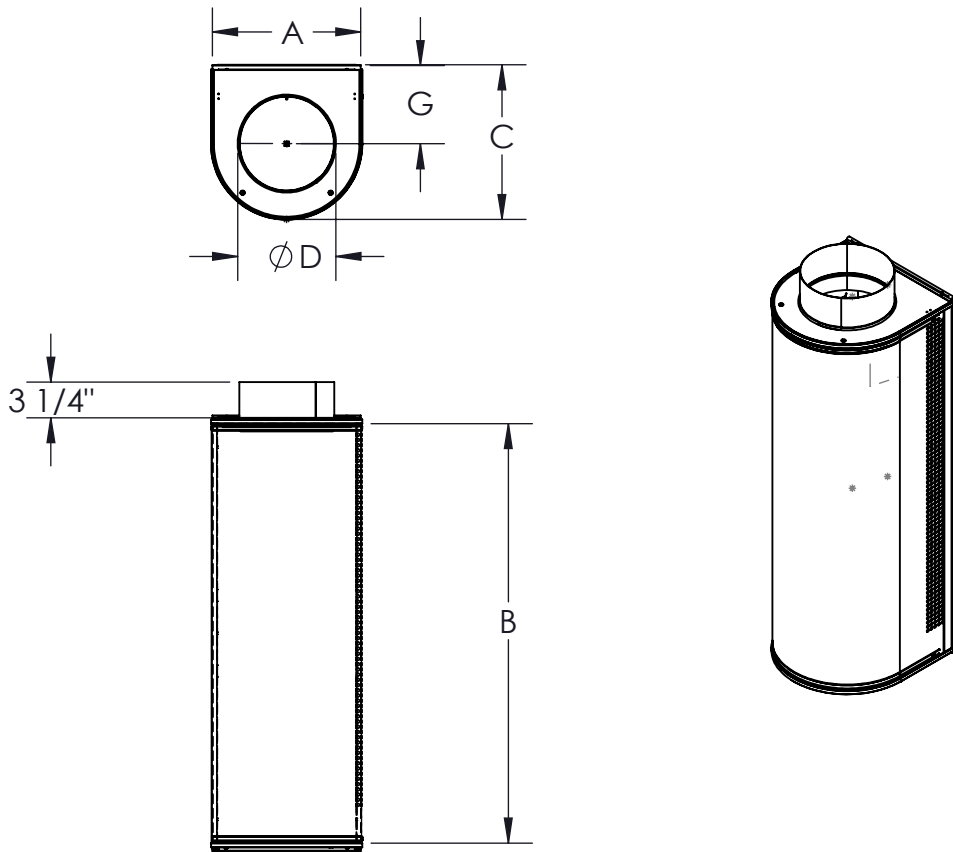




PRODUCT DIMENSIONS

DSC



Displacement
ventilation

| Model | Inlet Size | Nominal Unit Size | Unit Dimensions (Inches) | | | | |
|-------|------------|-------------------|--------------------------|---------|---------|--------|----------|
| | | | A | B | C | D | G |
| DSC | 5 | 10 x 25 | 9 5/8 | 24 1/2 | 9 9/16 | 4 7/8 | 4 13/16 |
| | 6 | 11 x 25 | 11 | 24 1/2 | 11 | 5 7/8 | 5 1/2 |
| | 8 | 13 x 37 | 12 9/16 | 36 5/16 | 12 1/2 | 7 7/8 | 6 5/16 |
| | 10 | 15 x 37 | 14 1/2 | 36 5/16 | 14 1/2 | 9 7/8 | 7 5/16 |
| | 12 | 18 x 60 | 17 | 60 | 17 | 11 7/8 | 8 9/16 |
| | 16 | 21 x 79 | 20 3/8 | 78 7/8 | 20 5/16 | 15 7/8 | 10 1/4 |
| | 12 | 24 x 24 | 24 | 24 | 24 | 11 7/8 | 11 15/16 |
| | 14 | 24 x 36 | 24 | 36 | 24 | 13 7/8 | 11 15/16 |
| | 16 | 24 x 48 | 24 | 48 | 24 | 15 7/8 | 11 15/16 |
| | 20 | 25 x 79 | 24 3/8 | 78 7/8 | 24 3/8 | 19 7/8 | 12 3/16 |
| | 24 | 30 x 79 | 29 1/2 | 78 7/8 | 29 1/2 | 23 7/8 | 14 3/4 |
| | 14 | 36 x 24 | 36 | 24 | 36 | 13 7/8 | 18 1/16 |
| | 16 | 36 x 36 | 36 | 36 | 36 | 15 7/8 | 18 1/16 |
| | 20 | 36 x 48 | 36 | 48 | 36 | 19 7/8 | 18 1/16 |
| | 32 | 37 x 79 | 36 1/4 | 78 7/8 | 36 3/16 | 31 7/8 | 18 1/8 |