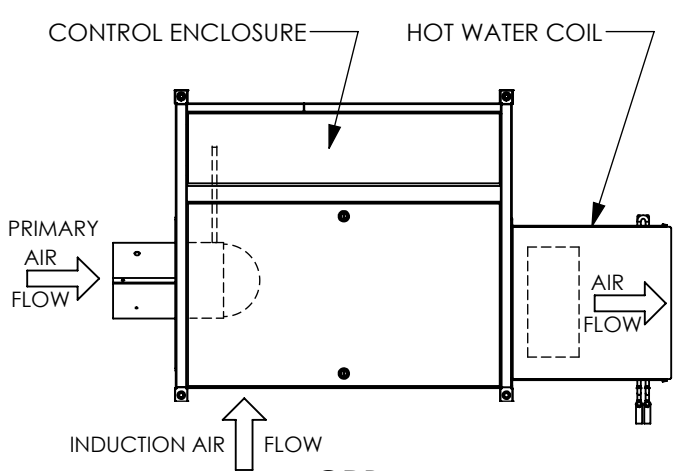
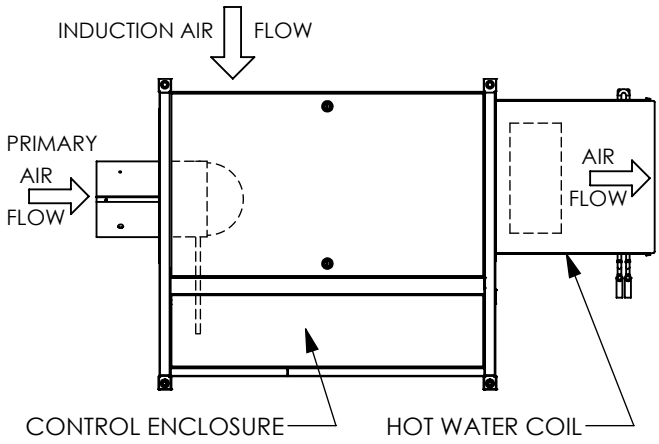


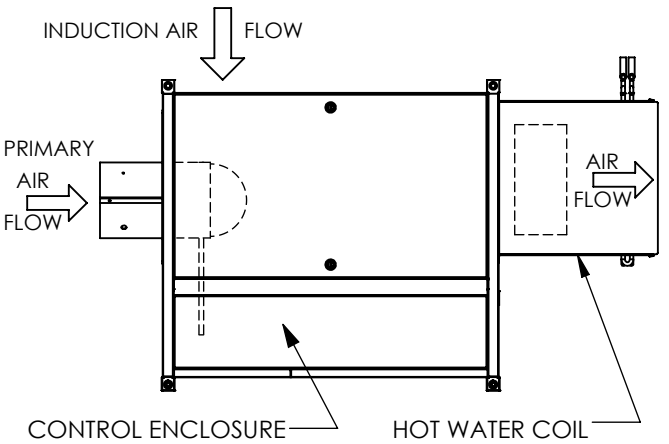
**CRB
ARRANGEMENT 1**
LEFT HAND CONTROL UNIT
LEFT HAND COIL



**CRB
ARRANGEMENT 2**
LEFT HAND CONTROL UNIT
RIGHT HAND COIL



**CRB
ARRANGEMENT 3**
RIGHT HAND CONTROL UNIT
RIGHT HAND COIL



**CRB
ARRANGEMENT 4**
RIGHT HAND CONTROL UNIT
LEFT HAND COIL

NOTES:

1. ELECTRIC HEAT CONTROL ENCLOSURE IS ON THE SAME SIDE AS STANDARD CONTROL ENCLOSURE.
2. ELECTRIC HEAT ONLY AVAILABLE ON ARRANGEMENTS 1 AND 3.
3. ELECTRIC HEAT NOT AVAILABLE WITH HW COIL.

UNCONTROLLED WHEN PRINTED



THIS DRAWING CONTAINS PROPRIETARY DATA. UNAUTHORIZED DISCLOSURE, REPRODUCTION, OR USE IS STRICTLY PROHIBITED WITHOUT WRITTEN PERMISSION.

SUBMITTAL DRAWING
ALL DRAWINGS ARE SUBJECT TO CHANGE
WITHOUT PRIOR NOTICE

DO NOT SCALE DRAWING
DIMENSIONS ARE IN INCH (MM) FORMAT
+/- 1/8 (3) UNLESS OTHERWISE NOTED

TITLE: MODEL CRB ARRANGEMENTS STANDARD ENCLOSURE		DATE 05/26/20	SHEET PAGE 1 OF 1	DRAWING NO 10-80001	REV A
--	--	------------------	----------------------	------------------------	----------