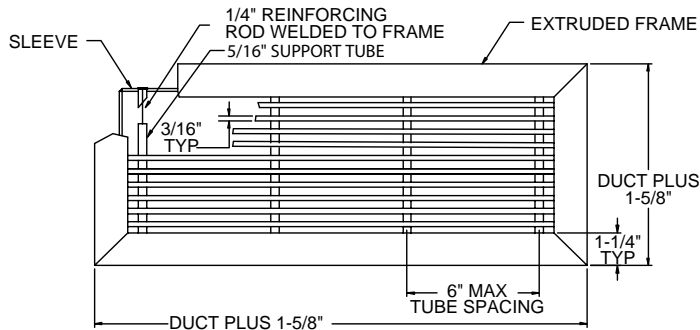
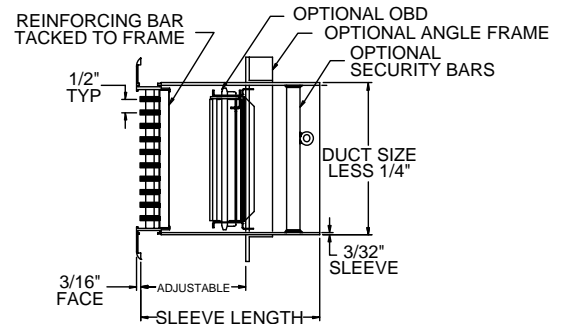


SG700 Standard Construction Details

- **Bar Grille:** 3/16" x 3/4" welded aluminum bars, 3/16" aluminum frame, bars have 0° deflection with 1/2" spacing
- **Sleeve:** 1/8" aluminum (available in 6", 8", 10", 12", & 18" lengths)
- **Finish:** White (WH) or Mill (ML)
- **All welded construction**


Face View Detail

Side View / Damper Detail
Options / Accessories:
 Angle Frame

1-1/2" x 1-1/2" x 1/8" aluminum angle iron welded at corners (shipped loose and unpainted for field mounting)

 Anchor Bars

1/2" dia. x 3" long aluminum bars positioned 3" from back of face plate on top & bottom of sleeve

 Security Bars

1/2" dia. aluminum bars on 6" centers, security bar grid is tack welded twice at each intersection and welded completely around at the sleeve joint

 Damper

Face operated or rear operated aluminum opposed blade damper is welded into sleeve

Available Sizes:

6" x 4" to 30" x 30" in 2" increments

Dimensions are in inches. Product information subject to change without notice.

PROJECT:	SUBMITTED BY:	DATE: 2-25-02	SD-1834
ARCHITECT:		SG700 Security Bar Grille Aluminum	
ENGINEER:			
CONTRACTOR:			
LOCATION:			