

Ø3/4" FLEXIBLE METAL
CONDUIT PROVIDED
STANDARD

LEFT HAND CW
COIL SHOWN

DRAINPAN HIDDEN
FOR CLARITY

5X Ø7/8" [22] K.O.

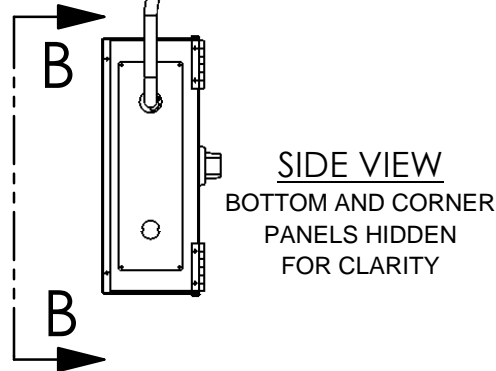
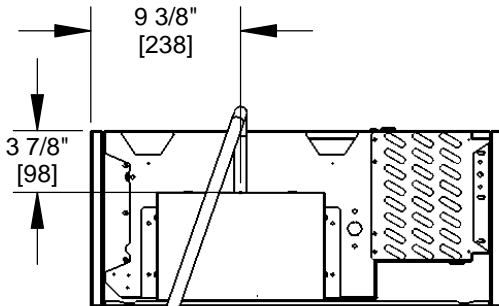
ELECTRIC HEAT SECTION
(BOTTOM ACCESS)

ISO VIEW

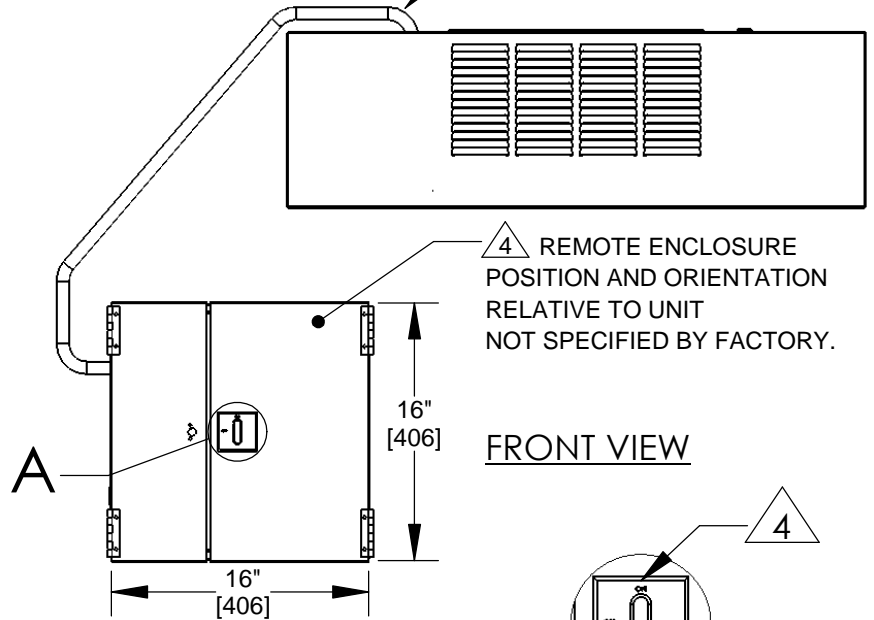
BOTTOM AND CORNER
PANELS HIDDEN
FOR CLARITY

JUNCTION BOX
PROVIDED OPPOSITE
CW COIL CONNECTIONS

72" [1829] NOMINAL
CONDUIT LENGTH.

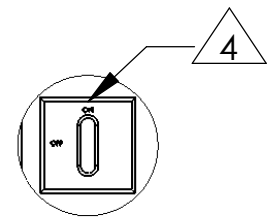


SIDE VIEW
BOTTOM AND CORNER
PANELS HIDDEN
FOR CLARITY

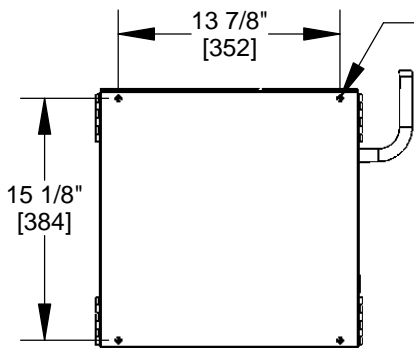


4 REMOTE ENCLOSURE
POSITION AND ORIENTATION
RELATIVE TO UNIT
NOT SPECIFIED BY FACTORY.

FRONT VIEW



DETAIL A



SECTION B-B

4X Ø.188 [5] THRU HOLE
(MOUNTING HARDWARE
NOT FACTORY PROVIDED)

NOTES:

1. All dimensions in Inches [millimeters]. All dimensions ± 1/4" [6mm]. Metric values are soft conversion.
2. Left hand unit shown; right hand opposite.
3. Follow NEC guidelines for mounting and installation.
4. When mounting remote access onto vertical surface - disconnect position "ON" must be oriented up.
5. Remote enclosure and unit ship connected by conduit as shown.

UNCONTROLLED WHEN PRINTED



THIS DRAWING CONTAINS PROPRIETARY DATA. UNAUTHORIZED DISCLOSURE, REPRODUCTION, OR USE IS STRICTLY PROHIBITED WITHOUT WRITTEN PERMISSION.

SUBMITTAL DRAWING
ALL DRAWINGS ARE SUBJECT TO CHANGE
WITHOUT PRIOR NOTICE

DO NOT SCALE DRAWING
DIMENSIONS ARE IN INCH [MM] FORMAT
+/- 1/8 [3] UNLESS OTHERWISE NOTED

TITLE: **HLE-D WITH ELECTRIC HEAT
REMOTE ELECTRICAL ENCLOSURE 16 X 16**

DATE	SHEET	DRAWING NO	REV
01/30/17	PAGE 1 OF 1	47-80134	00