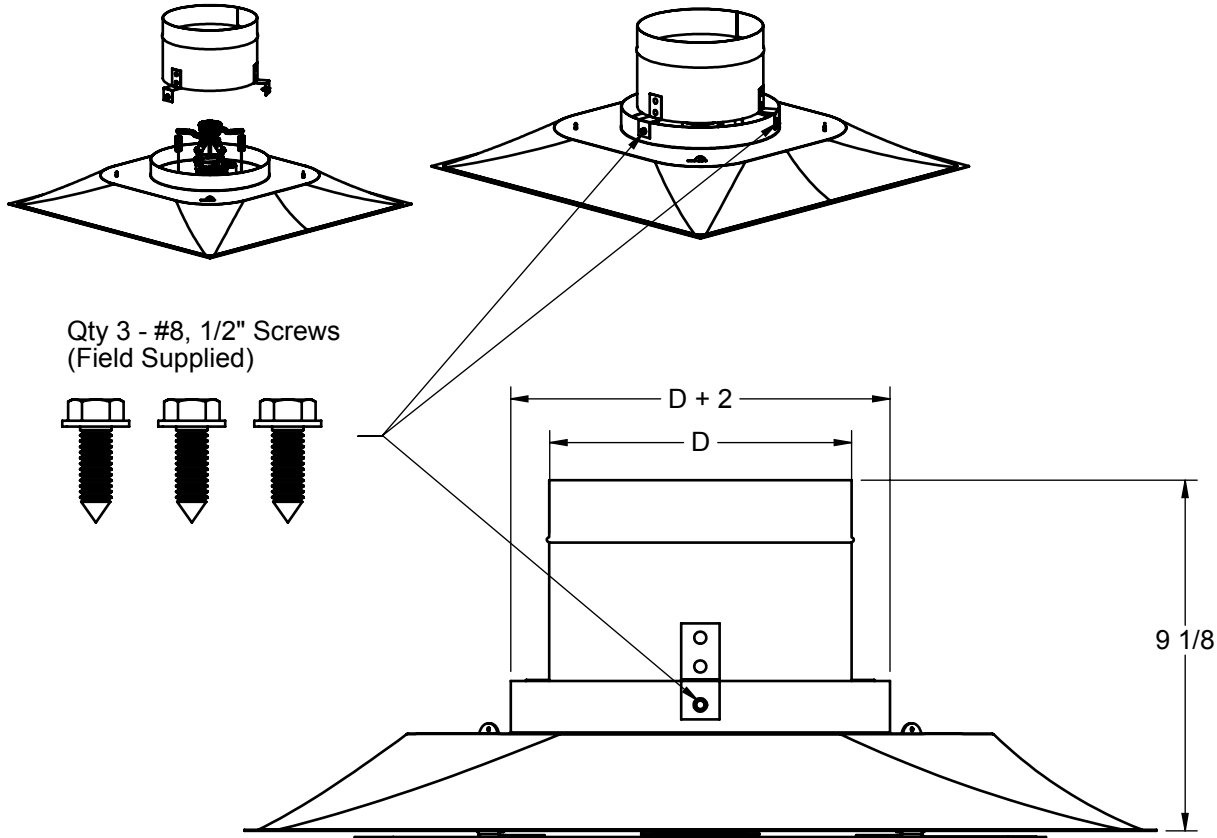


- Relief Rings ship separate and are field installed
- Diffuser neck must be upsized 2 inches over nominal duct size
- Standard finish is white (WH)
- For details on diffuser itself, refer to SD-2223



Part Number	D (Duct Connection)	Required Diffuser Neck Size
31636601	3 7/8	6
31636602	5 7/8	8
31636603	7 7/8	10
31636604	9 7/8	12

Dimensions in inches

Job: _____	Tag: _____	<b>VTD-RR</b> Thermal VAV Diffuser Relief Ring Option
Location: _____	Submitted By: _____	
Architect: _____		
Engineer: _____		
Contractor: _____	SD - 2224	Rev: A (02/15)