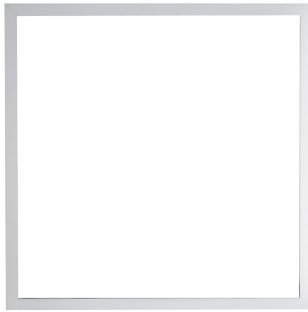


ACCESSORIES

Plaster Frame SMF/ASMF



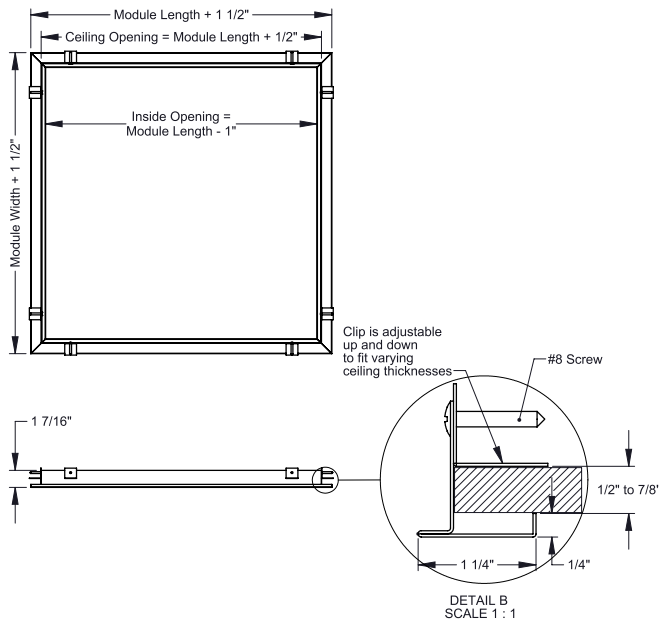
SMF

FEATURES

- Steel construction (SMF)
- Aluminum construction (ASMF)
- Trims out plaster or sheet rock ceiling opening for lay-in installation of grille or diffuser
- Can also be used for ceiling access
- Standard finish is White (WH)

Model	Minimum Ceiling Opening (A,B)
12x12	12-1/4 x 12-1/2
16x16	16-1/4 x 16-1/2
20x20	20-1/4 x 20-1/2
24x12	24-1/4 x 12-1/2
24x24	24-1/4 x 24-1/2
36x24	34-1/4 x 24-1/2
48x12	48-1/4 x 12-1/2
48x24	48-1/4 x 24-1/2

SMF



ASMF

