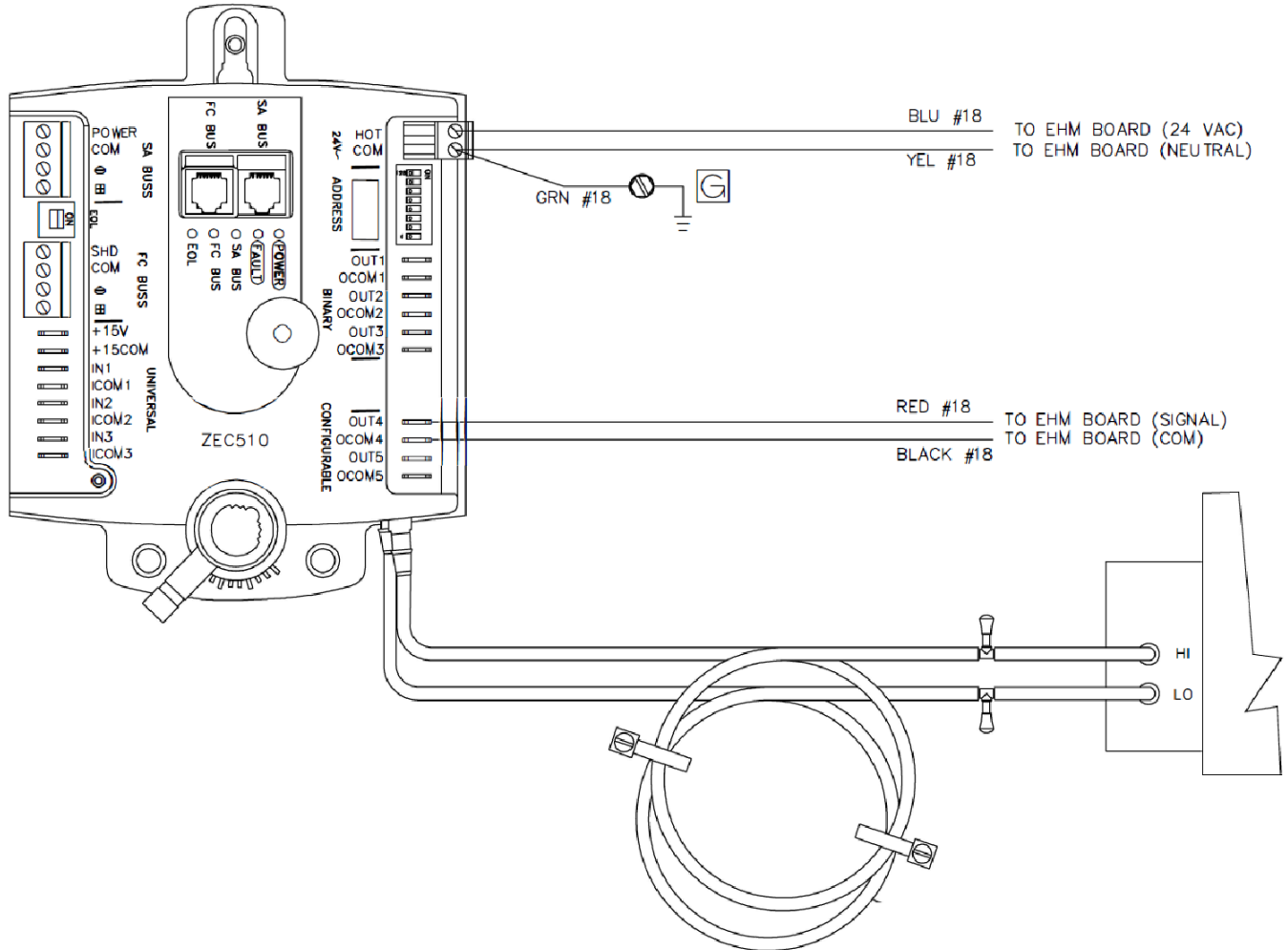


- Plug and Play connection with Smart Equipment System
- BACnet compatible for ease of communication with building automation systems
- Standalone option available (See Application Engineering)
- Factory programming tailored to customer specified airflow values and control sequence
- Optional balancing tool and Mobile Access Portal with RJ12 connections
- LCD Display Thermostat



Dimensions in inches

Job: _____	Tag: _____	SDV Single Duct VAV DDC Controls SSR Heat ZE34
Location: _____	Submitted By: _____	
Architect: _____		
Engineer: _____		
Contractor: _____	SD - 7715	Rev: A (02/21)