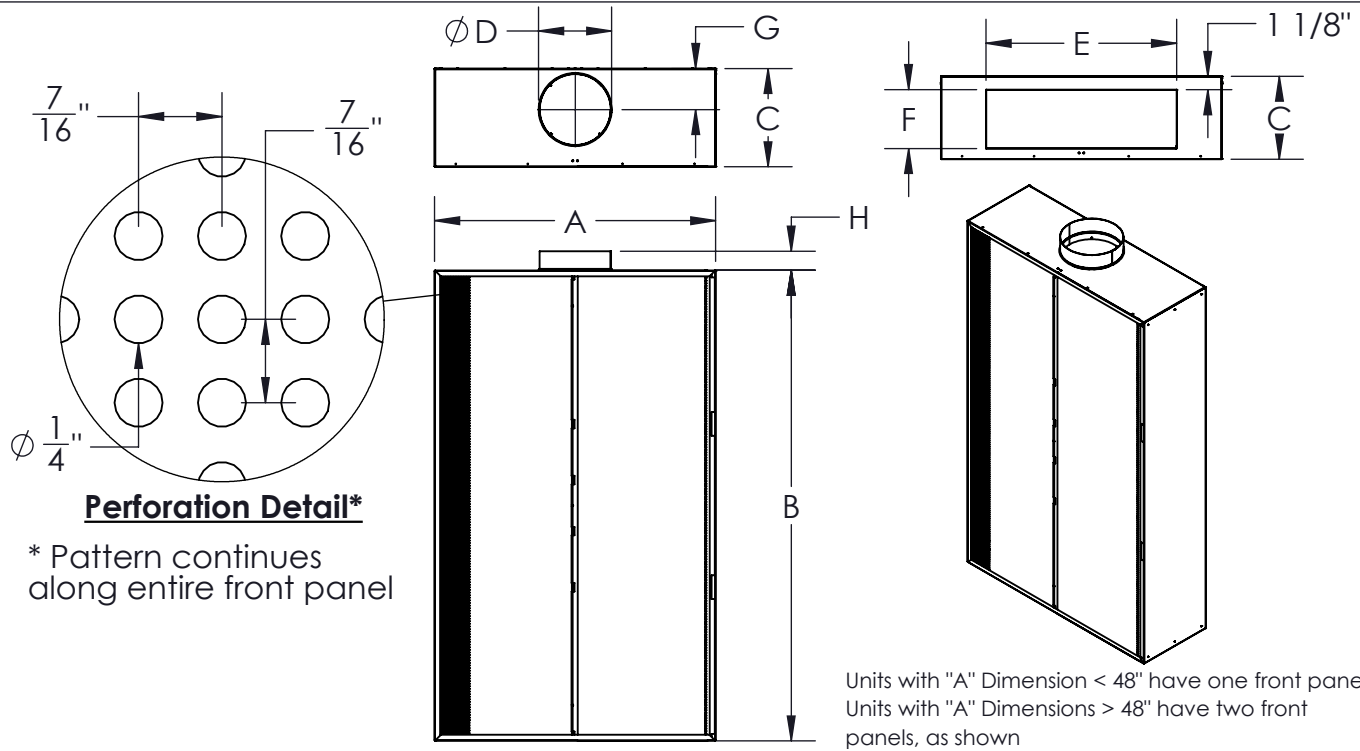


- Displacement diffuser designed for flush or wall mount applications
- Galvanized steel & aluminum construction
- Supplies large volumes of air at low velocity
- Contributes to LEED EA Credit
- Perforation envelops entire front cover offering increased free area space
- Standard finish is white (WH)



Model	Inlet Size	Nominal Unit Size	Unit Dimensions (inches)							
			A	B	C	D	E	F	G	H
DSQ	8	24 x 24	24	24	11 13/16	7 7/8	N/A	N/A	4 1/2	3 1/4
	8	24 x 27	23 1/4	46 7/8	11 13/16	7 7/8	N/A	N/A	4 1/2	3 1/4
	8	24 x 48	24	48	11 13/16	7 7/8	N/A	N/A	4 1/2	3 1/4
	10	24 x 79	23 1/4	78 3/8	13 3/4	9 7/8	N/A	N/A	5 1/2	3 1/4
	10	36 x 48	36	48	13 3/4	9 7/8	N/A	N/A	5 1/2	3 1/4
	10	48 x 24	48	24	13 3/4	9 7/8	N/A	N/A	5 3/4	3 1/4
	10	48 x 36	48	36	13 3/4	9 7/8	N/A	N/A	5 3/4	3 1/4
	12	47 x 79	46 7/8	78 3/8	16 5/16	11 7/8	N/A	N/A	6 3/4	3 1/4
	12	60 x 24	60	24	16 5/16	11 7/8	N/A	N/A	7 1/16	3 1/4
	16	47 x 79	46 7/8	78 3/8	19 11/16	15 7/8	N/A	N/A	8 7/16	3 1/4
	16	60 x 36	60	36	19 11/16	15 7/8	N/A	N/A	8 11/16	3 1/4
	32 (24x8)	47 x 79	46 7/8	78 3/8	11 13/16	N/A	23 7/8	7 7/8	N/A	2
	42 (32x10)	47 x 79	46 7/8	78 3/8	13 3/4	N/A	31 7/8	9 7/8	N/A	2

Dimensions in inches

Job: _____	Tag: _____	DSQ Rectangular Displacement Diffuser Flush or Wall Mount
Location: _____	Submitted By: _____	
Architect: _____		
Engineer: _____		
Contractor: _____	SD - 2319	Rev: B (07/20)