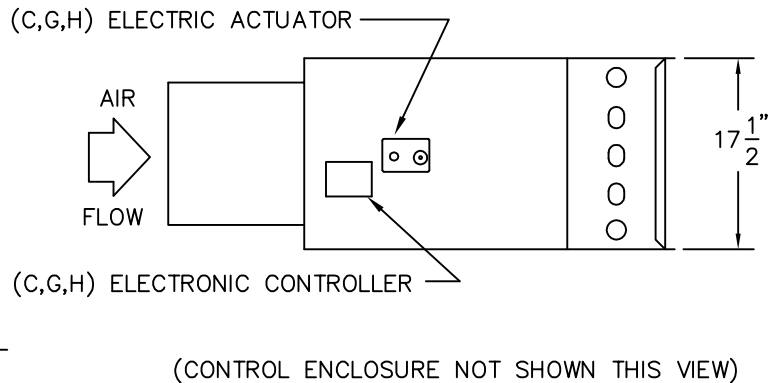
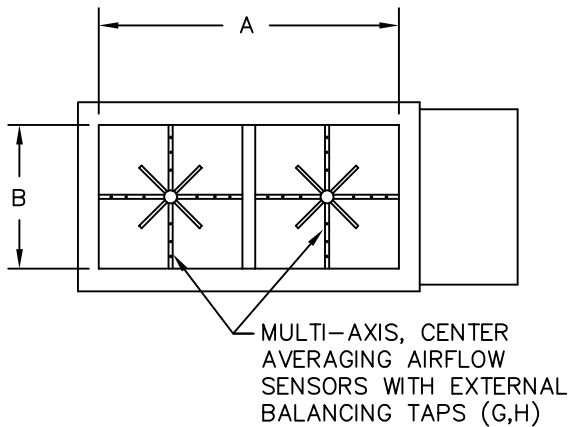
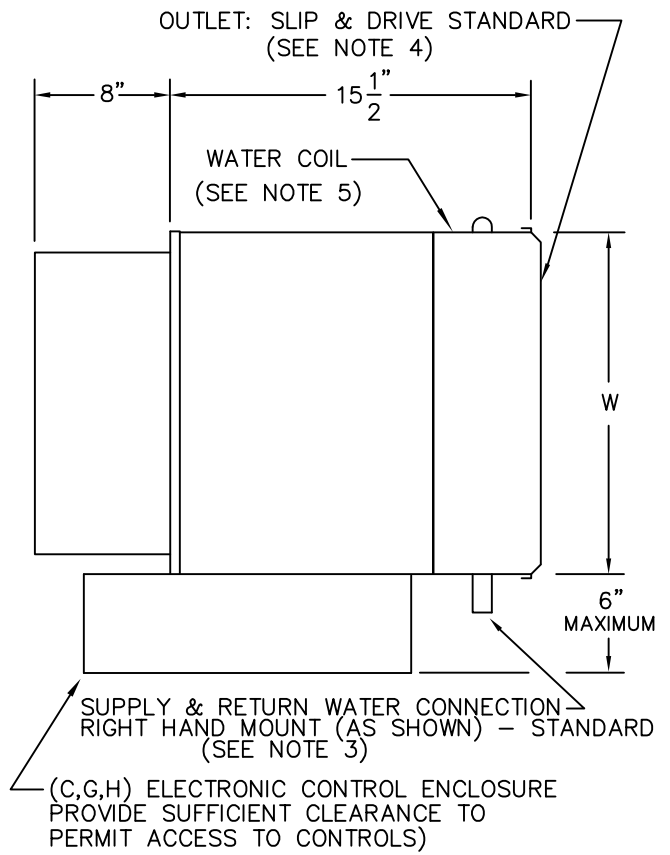


DIMENSIONAL DATA

UNIT SIZE	W	A	B
19	30" [762]	28 $\frac{1}{4}$ " [718]	13 $\frac{7}{8}$ " [352]
22	34" [864]	32 $\frac{1}{4}$ " [819]	15 $\frac{7}{8}$ " [403]



CONSTRUCTION NOTES:

1. MATERIAL: Galvanized steel; Casing -22 gauge; Air valve casing -22 gauge.
2. INSULATION: 1/2" thick fiberglass, complying with NFPA 90-A and UL 181.
3. HOT WATER COIL: Copper tubing with aluminum fins, 10 fins per inch. Supply and Return water connections: 1 Row coil: 1/2" O.D., 2 Row coil: 5/8" O.D., 3 & 4 Row coil: 7/8" O.D.. Coil to be externally insulated by others if required.
4. INSTALLATION: A) If internal insulation is utilized in the downstream ductwork, the insulation must be secured in such a manner that no raw insulation edges are exposed to the airstream. B) Inlet collar & hot water coil should be externally insulated by others (in the field) if required.
5. WATER COIL: SDRWC Units with 4-row coil are 16 1/2" in length.

NOTE: All drawings subject to change without prior notice.

(C) TEMPERATURE RESPONSIVE - SERIES SD600

(G) PRESSURE INDEPENDENT - SERIES SD700

(H) DIRECT DIGITAL PRESSURE INDEPENDENT - SERIES SD800 & SD900

TITLE: MODEL SDR-WC SINGLE DUCT
TERMINAL UNIT - SZ 19 & 22
ELECTRONIC CONTROLS



DRN BY: CV	DATE: 04/15/92	SCALE: N/A	DRAWING NO. 15369
CKD BY: Chris H	DATE: 04/17/13	REV: 04	