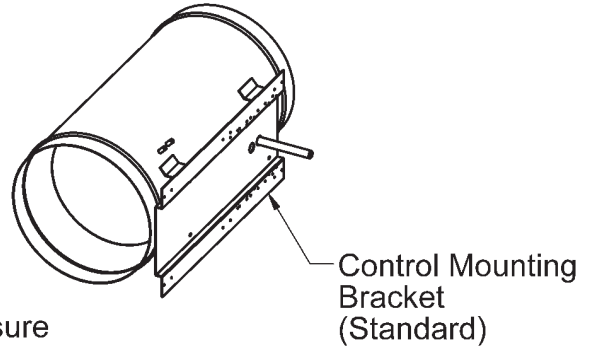
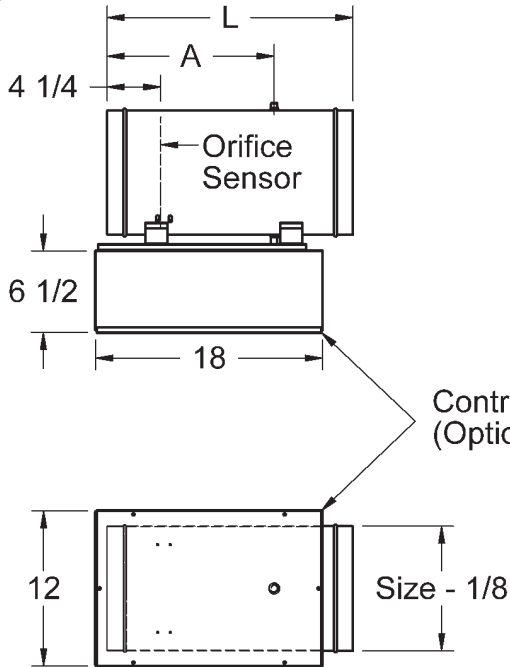


PRODUCT DIMENSIONS

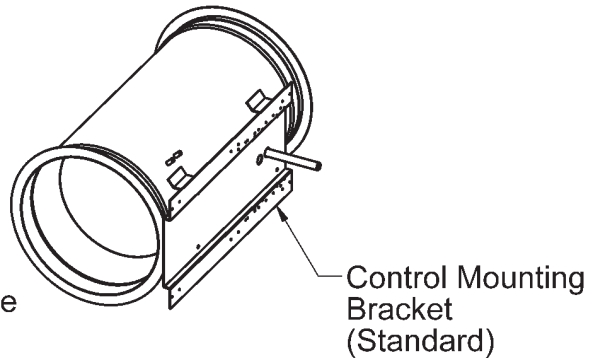
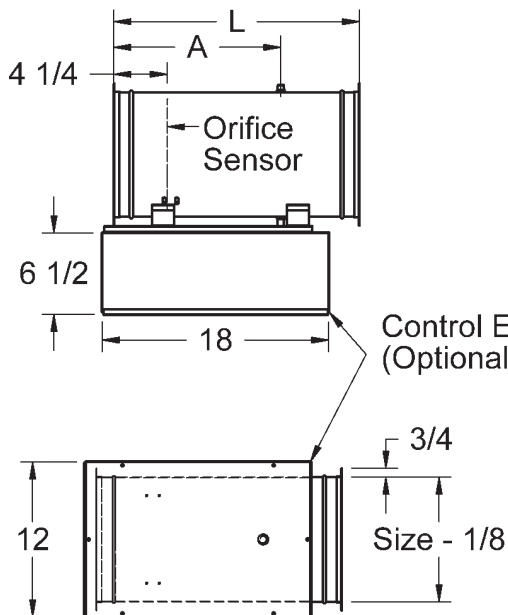
RRV

Slip/Slip



Control Enclosure (Optional)

Flange/Flange



Control Enclosure (Optional)

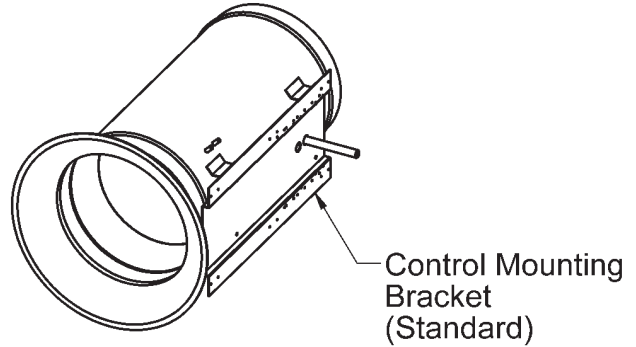
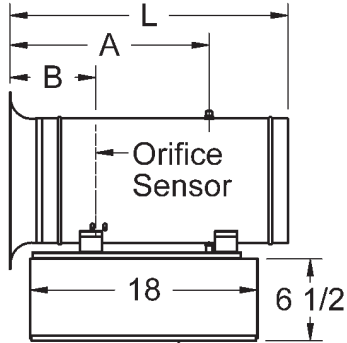


| SIZE | MAX CFM | L | A |
|------|---------|--------|--------|
| 4 | 260 | 16 | 12 |
| 5 | 410 | 16 | 12 |
| 6 | 590 | 16 | 12 |
| 7 | 800 | 16 | 12 |
| 8 | 1045 | 16 | 12 |
| 10 | 1635 | 19-1/2 | 13-1/4 |
| 12 | 2350 | 20-1/2 | 13-1/4 |
| 14 | 3200 | 23 | 14-1/2 |
| 16 | 4200 | 25 | 15-1/2 |

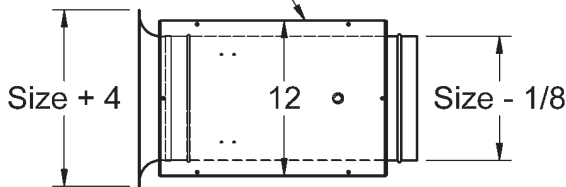
PRODUCT DIMENSIONS

RPV

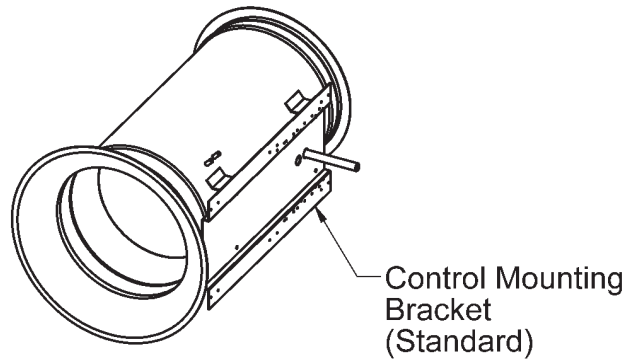
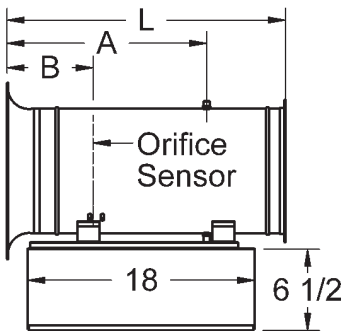
Bellmouth/Slip



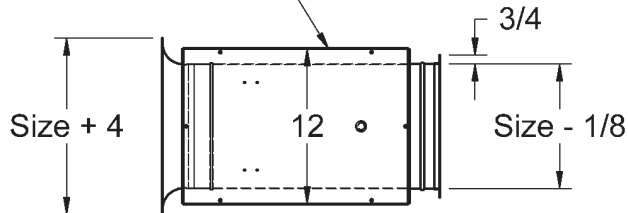
Control Enclosure (Optional)



Bellmouth/Flange



Control Enclosure (Optional)



| SIZE | MAX CFM | L | A | B |
|------|---------|--------|--------|-------|
| 4 | 260 | 17 | 13 | 5-1/4 |
| 5 | 410 | 17 | 13 | 5-1/4 |
| 6 | 590 | 18-1/2 | 14-1/2 | 6-3/4 |
| 7 | 800 | 18-1/2 | 14-1/2 | 6-3/4 |
| 8 | 1045 | 18-1/2 | 14-1/2 | 6-3/4 |
| 10 | 1635 | 22 | 15-3/4 | 6-3/4 |
| 12 | 2350 | 23 | 15-3/4 | 6-3/4 |
| 14 | 3200 | 25-1/2 | 17 | 6-3/4 |
| 16 | 4200 | 27-1/2 | 18 | 6-3/4 |

DIMENSIONS IN INCHES