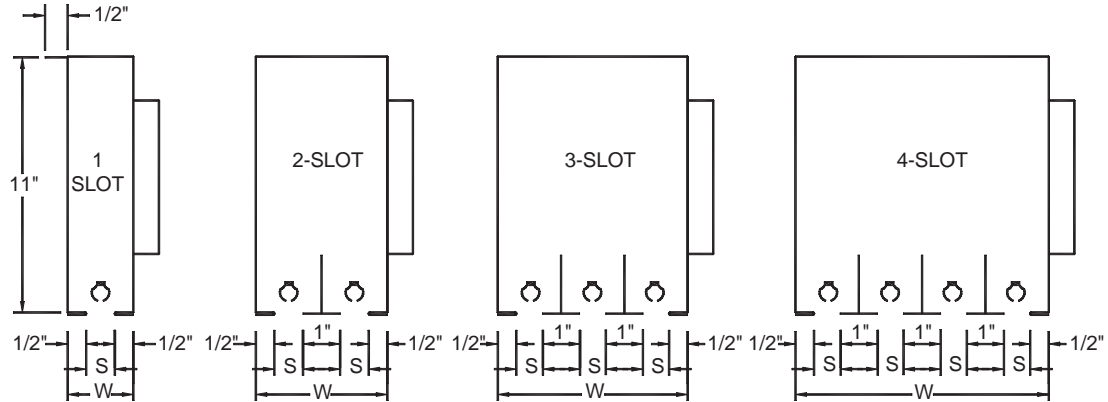


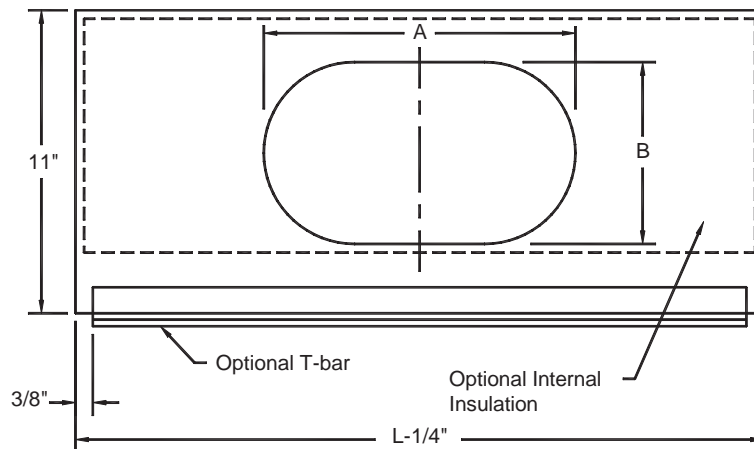
- Modulinear pattern control (adjustable to provide full horizontal to full vertical air pattern)
- Available in 1, 2, 3, or 4 slots in 1" width, or 1 and 2 slots in 3/4" width
- Available lengths: 24", 36", 48" and 60"
- 24" length has 1 blade per slot: 36", 48" and 60" lengths have 2 blades per slot
- Optional internal insulation (end caps are not insulated)
- Standard finish is black exposed surfaces, black pattern controller, white optional T-bars
- Steel Construction



Optional Center T-Bars are shown above

Available Inlet Sizes	Dimensions	
	A	B
5" Round	4-7/8"	-
6" Oval	6-1/4"	5-1/4"
8" Oval	9-3/8"	5-1/4"
10" Oval	12-1/2"	5-1/4"
12" Oval	15-5/8"	5-1/4"

Slot Width (S)	Diffuser Width (W)			
	1 Slot	2 Slot	3 Slot	4 Slot
3/4"	1-3/4"	3-1/2"	N/A	N/A
1"	2"	4"	6"	8"



Available lengths L:
24", 36", 48", 60"

ITPS is designed for standard T-bar ceiling systems

Note: For ITPS accessory options and details, refer to submittal SD - 1856

Dimensions are in inches. Product information subject to change without notice.

PROJECT: _____
 ARCHITECT: _____
 ENGINEER: _____
 CONTRACTOR: _____
 LOCATION: _____

SUBMITTED BY: _____

DATE: 5-28-02 | SD-1852

ITPS
 Plenum Slot Diffuser
 Adjustable, Modulinear Control