

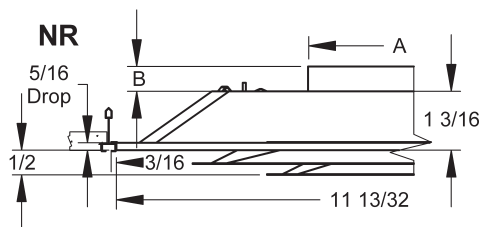
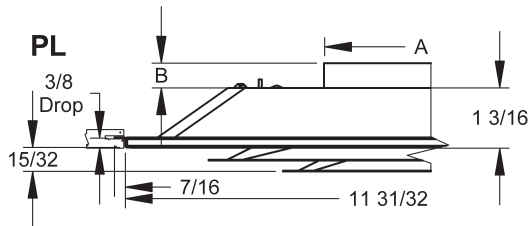
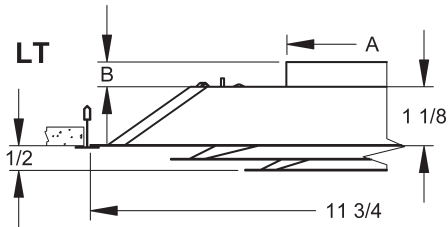
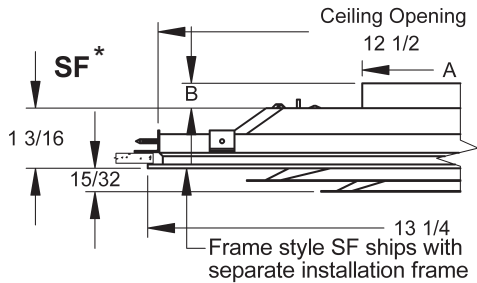


PRODUCT DIMENSIONS

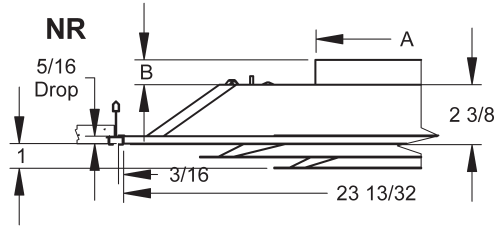
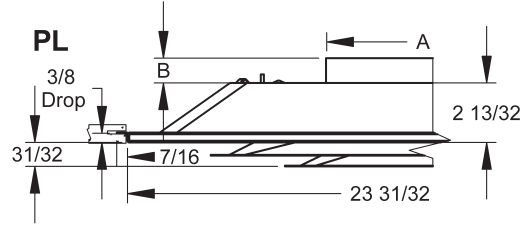
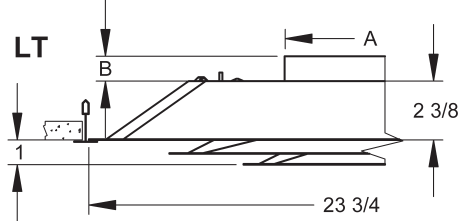
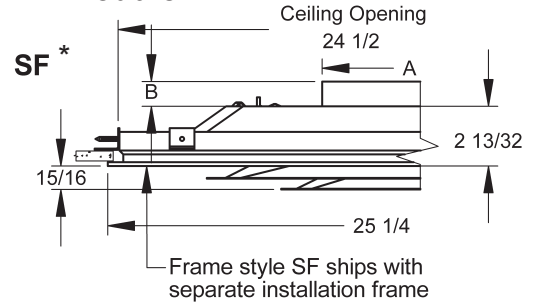
S1200, A1200

Fixed Pattern Margin Details: SF, LT, PL & NR

12x12 Module



24x24 Module



12x12 Module

Nom. Duct Size (in.)	1200 Series Steel & Aluminum A	1200 Series Steel B	A1200 Series Aluminum B
6	5-7/8	1-1/2	2
8	7-7/8	1-1/2	2

*Surface mount margin style includes an aluminum trim frame for installation

24x24 Module

Nom. Duct Size (in.)	1200 Series Steel & Aluminum A	1200 Series Steel B	A1200 Series Aluminum B
6	5-7/8	1	2
8	7-7/8	1	2
10	9-7/8	1-1/2	2
12	11-7/8	1-1/2	2
14	13-7/8	1-1/2	2
15	14-7/8	1-1/2	2

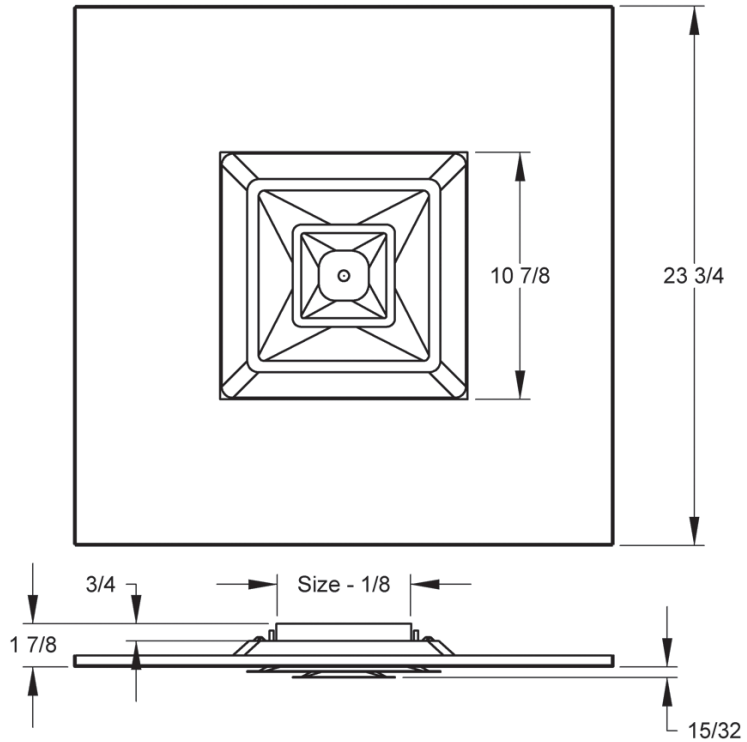


PRODUCT DIMENSIONS

S1200, A1200

Fixed Pattern
FP Margin

Face View & Side View 12x12 Face in 24x24 Panel



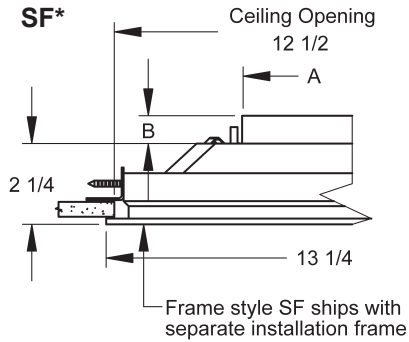
Ceiling
Diffusers



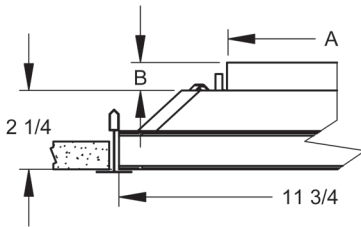
PRODUCT DIMENSIONS

S1200A, A1200A Adjustable Pattern Margin Details: SF, LT, PL & NR

12x12 Module



LT

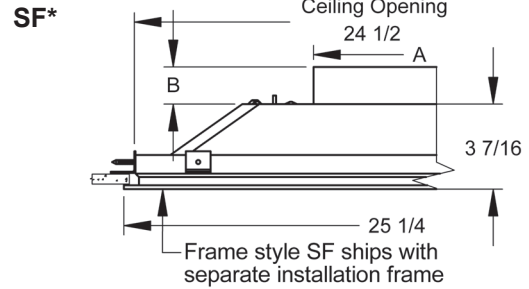


12x12 Module

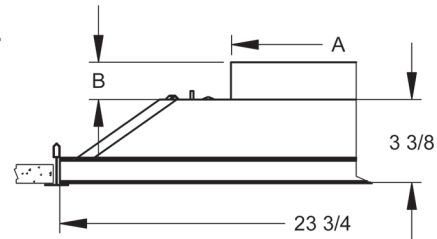
Nom. Duct Size (in.)	1200 Series Steel & Aluminum A	1200 Series Steel B	A1200 Series Aluminum B
6	5-7/8	1-1/2	2
8	7-7/8	1-1/2	2

*Surface mount margin style includes an aluminum trim frame for installation

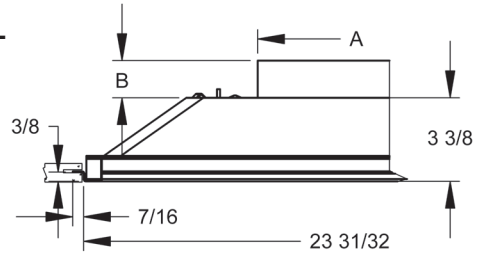
24x24 Module



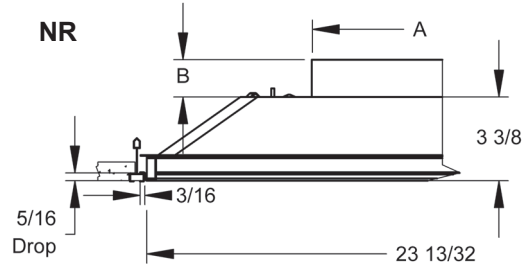
LT



PL



NR



24x24 Module

Nom. Duct Size (in.)	1200 Series Steel & Aluminum A	1200 Series Steel B	A1200 Series Aluminum B
6	5-7/8	1	2
8	7-7/8	1	2
10	9-7/8	1-1/2	2
12	11-7/8	1-1/2	2
14	13-7/8	1-1/2	2
15	14-7/8	1-1/2	2



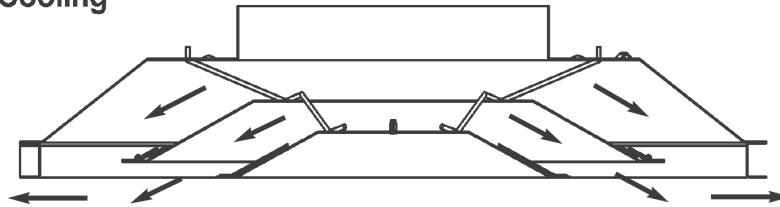
PRODUCT DIMENSIONS

S1200A, A1200A

Mode Adjustment

S1200A & A1200A Adjustable Pattern

Cooling



Heating

