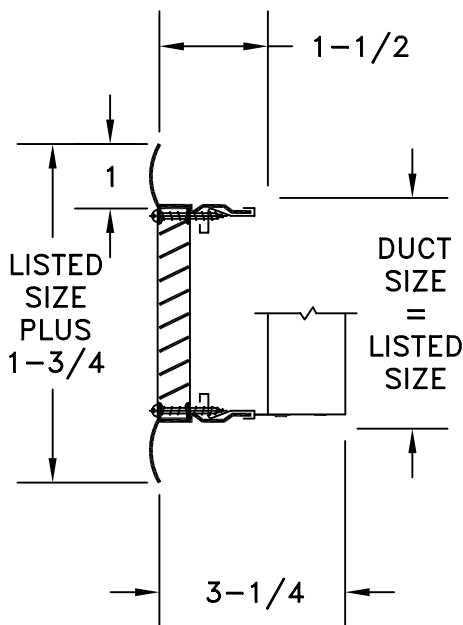


- REMOVABLE CORE MODEL – GMR
- DESIGNED TO MATCH – MODEL GMA SUPPLY GRILLES AND REGISTERS
- MIN 6W x 6H, MAX 48W x 48H OR 96Wx24H IN ONE INCH INCREMENTS, CORES ARE SECTIONAL OVER 48 x 24
- STEEL CONSTRUCTION STANDARD
- OPTIONAL STEEL OPPOSED BLADE DAMPERS AVAILABLE
- STANDARD FINISH IS WHITE
- MAXIMUM CORE ONLY SIZE 48W x 24H

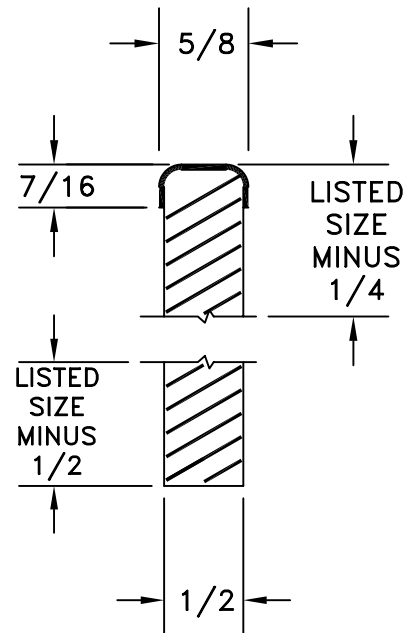
GMR GRILLE



GMRV REGISTER

GAR CORE

MAX NOMINAL ONE PIECE 48x24



GOR CORE

MAX NOMINAL ONE PIECE 48x24

STYLE R
WITH INDENTS - 0



JOB NAME: _____
 LOCATION: _____
 ARCHITECT: _____
 ENGINEER: _____
 CONTRACTOR: _____

SUBMITTED BY:

DATE: 9/10/04

SD-1530.1

G_R
 Steel
 Return Grilles/Registers