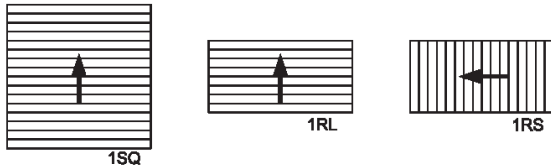


# DEFLECTION PATTERNS

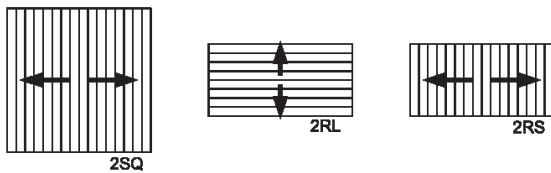
*M, MA, AM, AMA Series*

## Deflection Patterns

### 1 Way



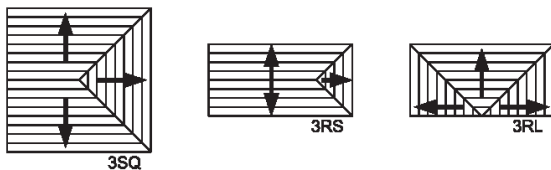
### 2 Way Opposite



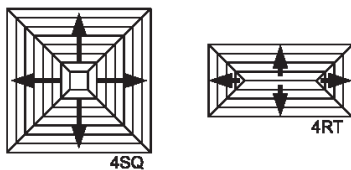
### 2 Way Diagonal



### 3 Way



### 4 Way



## Notes:

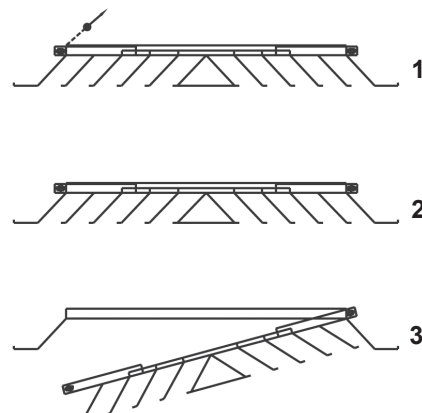
- Patterns are shown in plan view (looking down into inlet)
- Louvers are spaced on 1-1/2" centers
- The core louvers have a 1/4" horizontal lip on all sides that provide a horizontal air pattern which is tight to the ceiling



## Pattern Codes

Code	Deflection Pattern
1SQ	1-way Square
1RL	1-way Rectangular Long
1RS	1-way Rectangular Short
2SQ	2-way Square
2RL	2-way Rectangular Long
2RS	2-way Rectangular Short
2CS	2-way Corner Square
2CR	2-way Corner Right
2CL	2-way Corner Left
3SQ	3-way Square
3RL	3-way Rectangular Long
3RS	3-way Rectangular Short
4SQ	4-way Square
4RT	4-way Rectangular

## M Series Snap-In Core Detail



The "M" Series snap-in core is ideal where no screws are required. Core is held in place by two tabs which slide into the outer margin. The other side is secured by a positive lock arrangement. Core is easily removed by releasing lock and removing the core.

1. Remove shipping clips.
2. Push core sideways.
3. Hold core securely and allow core to drop down.