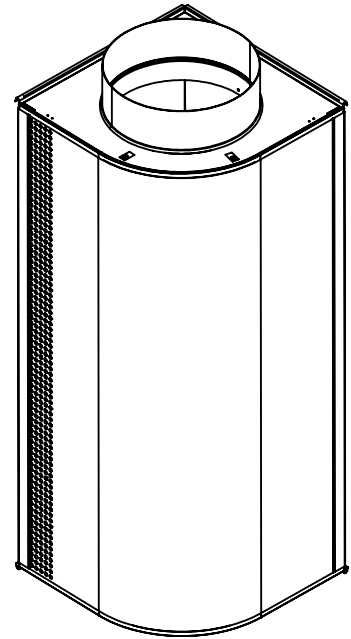
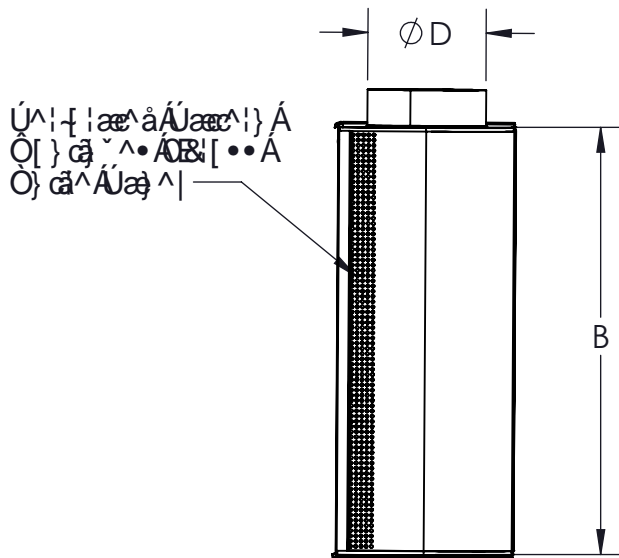
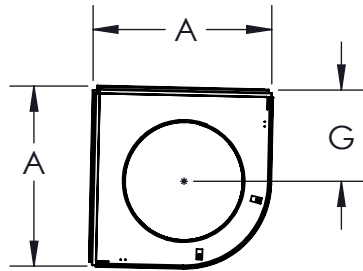




PRODUCT DIMENSIONS

DSC90



Model	Inlet Size	Nominal Unit Size	Unit Dimensions (Inches)			
			A	B	D	G
DSC90	5	10 x 25	9 5/8	24 1/2	4 7/8	4 7/8
	6	11 x 25	11	24 1/2	5 7/8	5 1/2
	8	13 x 37	12 5/8	36 5/16	7 7/8	6 5/16
	10	15 x 37	14 5/8	36 5/16	9 7/8	7 5/16
	12	18 x 60	17 1/8	60	11 7/8	8 5/8
	16	21 x 79	20 1/2	78 7/8	15 7/8	10 1/4
	10	24 x 24	24	24	9 7/8	12
	12	24 x 36	24	36	11 7/8	12
	14	24 x 48	24	48	13 7/8	12
	14	30 x 24	30	24	13 7/8	15
	16	30 x 36	30	36	15 7/8	15
	16	30 x 48	30	48	15 7/8	15

Displacement
ventilation