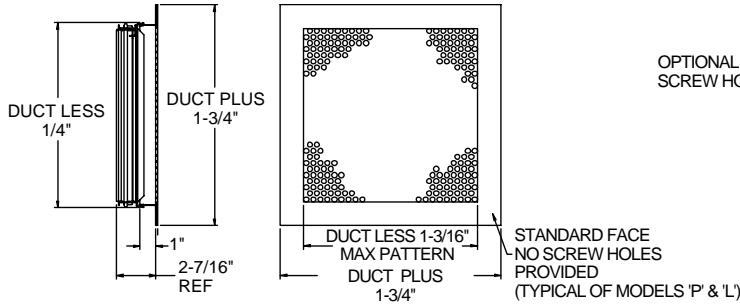
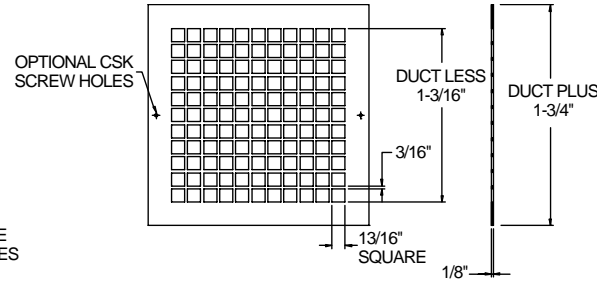


SG900 Series Standard Construction Details

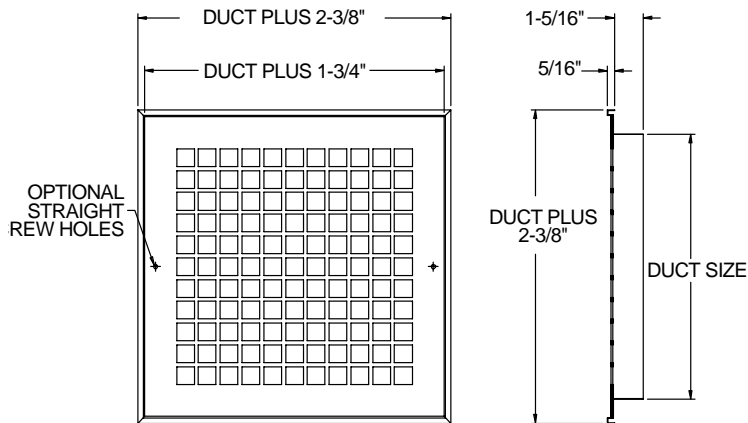
- **SG900L:** Lattice face plate, 1/8" aluminum, 13/16" x 13/16" square holes with 3/16" frets, 66% free area
- **SG900P:** Perforated face plate, 1/8" aluminum, 5/16" round holes on 7/16" staggered centers
- **Finish:** White (WH) or Mill (ML)



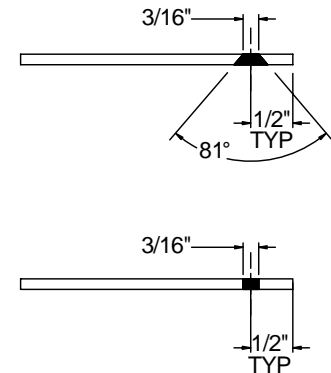
SG900P, Perforated Face Plate
Face / Side View & Damper Detail



SG900L, Lattice Face Plate
Face / Side View Detail



SG800L, Lattice face plate with plaster frame
Face / Side View Detail



Screw Hole Detail

Options / Accessories:

- Counter sunk screw holes, 3/16" dia.
- Straight screw holes, 3/16" dia.
- No screw holes
- Face operated aluminum opposed blade damper
- Aluminum plaster frame
- *Security screws provided by others

Available Sizes:

6" x 4" to 30" x 30" in 2" increments

Dimensions are in inches. Product information subject to change without notice.

PROJECT:	SUBMITTED BY:	DATE: 2-25-02	SD-1836
ARCHITECT:		SG900 Series Security Grilles Lattice or Perforated Face Aluminum	
ENGINEER:			
CONTRACTOR:			
LOCATION:			