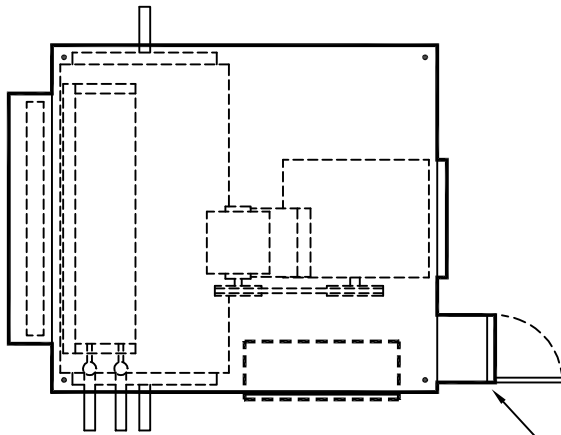


10-1/4" [260]  
MAX.

**NOTES:**

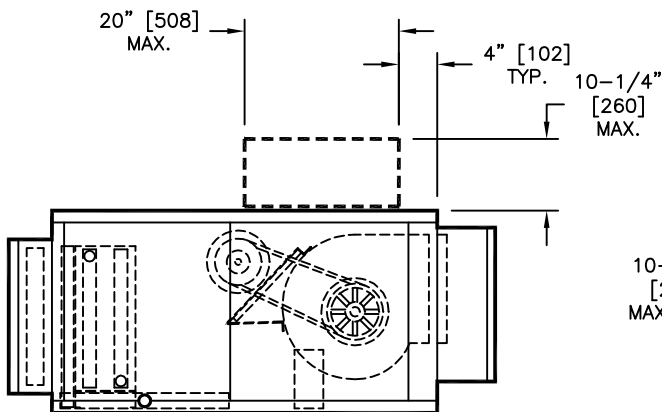
1. All dimensions are Inches [millimeters]. All dimensions are  $\pm 1/4"$  [6mm]. Metric values are soft conversion.
2. Right hand unit shown, left hand unit opposite. Motor/drive location may be specified Left or Right Hand. Standard control enclosure location matches motor/drive position.
3. Provide sufficient clearance to permit access to controls and comply with applicable codes and ordinances.
4. Enclosure may overhang unit cabinet up to 1/2" [13].
5. Enclosure cover hinging direction may vary.
6. Model H unit shown, typical for horizontal MQL units.

□ ALTERNATE LOCATION 2  
(SEE NOTE 4)



**TOP VIEWS**

STANDARD CONTROL ENCLOSURE  
MOUNTING LOCATION, SEE NOTE 5

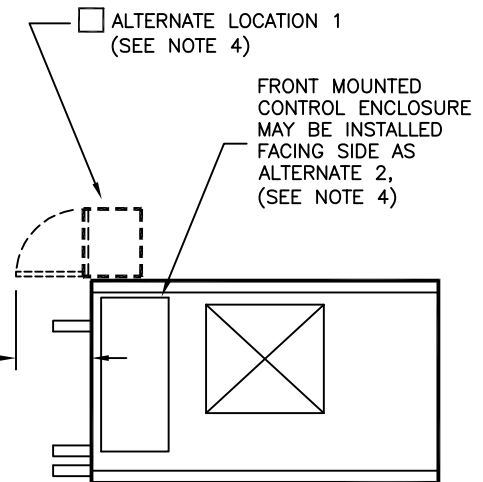


20" [508]  
MAX.

4" [102]  
TYP.

10-1/4"  
[260]  
MAX.

**SIDE VIEW**



□ ALTERNATE LOCATION 1  
(SEE NOTE 4)

FRONT MOUNTED  
CONTROL ENCLOSURE  
MAY BE INSTALLED  
FACING SIDE AS  
ALTERNATE 2,  
(SEE NOTE 4)

10-3/4"  
[273]  
MAX. TYP.

**FRONT VIEW**

TITLE:

HORIZONTAL AHU, HINGED COVER  
CONTROL ENCLOSURE MOUNTING  
ALTERNATE LOCATIONS  
SPECIAL FEATURE #1448



**ENVIRO-TEC®**  
BY JOHNSON CONTROLS

DRN BY: HANK	DATE: 05/05/04	SCALE: 1=20	DRAWING NO.
CKD BY: DPB	DATE: 2/2/10	REV: 01	

70-35-115

THIS DRAWING CONTAINS PROPRIETARY DATA.  
UNAUTHORIZED DISCLOSURE, REPRODUCTION, OR USE  
IS STRICTLY PROHIBITED WITHOUT WRITTEN PERMISSION

DO NOT SCALE DRAWING  
DIMENSIONS AND DATA ARE SUBJECT TO CHANGE WITHOUT NOTICE.  
CONTACT FACTORY FOR CERTIFIED DRAWINGS.