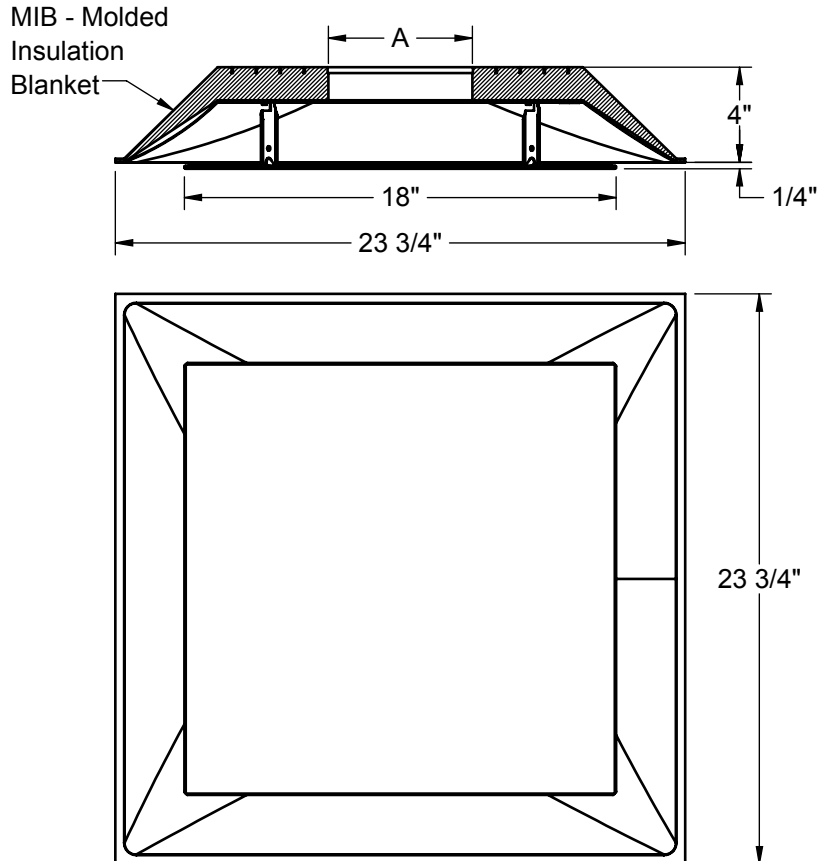


- Architectural, plaque faced diffuser
- Removable center panel for easy damper access
- Steel (T1100) or aluminum (A1100) construction
- Rigid foil faced fiberglass insulation providing an R value of 6
- Standard finish is white (WH)
- Optional round dampers ship loose for field installation



Neck Size	A
6	6 1/16"
8	8 1/16"
10	10 1/16"
12	12 1/16"
14	14 1/16"
15	15 1/16"

### Options:

Steel (T1100)  
Aluminum (A1100)

### Available Finishes:

White (WH)  
Mill (ML)  
Aluminum Paint (AP)  
Off White (OW)  
Flat Black (FB)  
Match Paint (MP)

Dimensions in inches

Job: \_\_\_\_\_  
Location: \_\_\_\_\_  
Architect: \_\_\_\_\_  
Engineer: \_\_\_\_\_  
Contractor: \_\_\_\_\_

Tag: \_\_\_\_\_  
Submitted By: \_\_\_\_\_  
SD - 2230      Rev: A (03/15)

**A1100 / T1100**  
**Plaque Faced Diffuser**  
**Aluminum / Steel**  
**Rigid R6 Insulated Backpan**