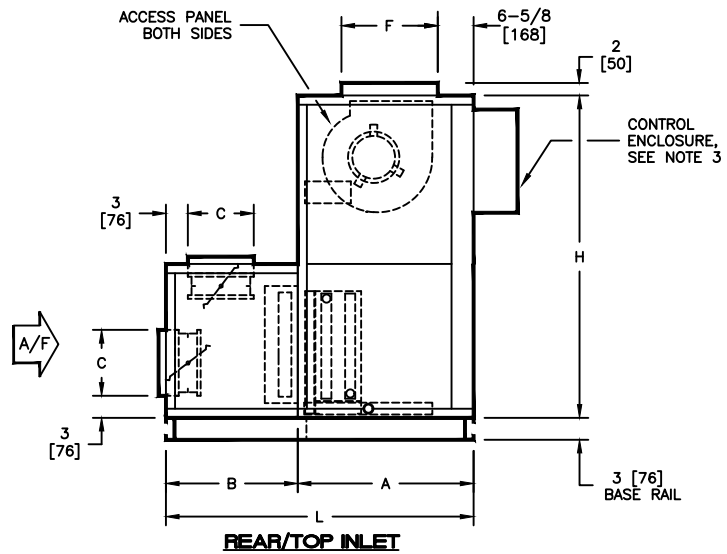
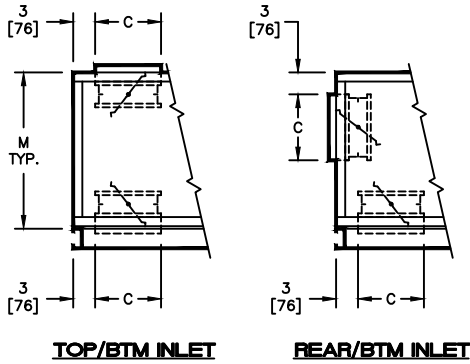
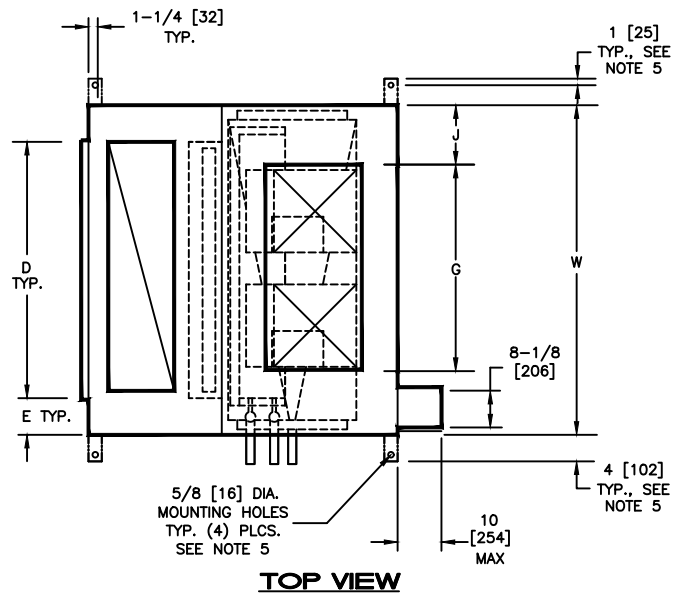


NOTES:

1. All dimensions are Inches [millimeters].
All dimensions are $\pm 1/4"$ [6mm]. Metric values are soft conversion.
2. Right hand unit shown, left hand unit opposite.
Motor/drive location may be specified Left or Right Hand. Standard control enclosure location matches motor/drive position.
3. Provide sufficient clearance to permit access to controls and comply with applicable codes and ordinances.
4. See drawing 35-80048 for filter rack details.
5. Outside and return air damper linkage is optional.
6. See coil connection detail drawings for coil connection sizes and locations.
7. High efficiency filter rack not available with mixing box.



DIMENSIONS

SIZE	FAN SIZE	L	W	H	A	B	C	D	E	F	G	J	M
30	10 X 8 [254 X 203]	51 [1295]	59 [1499]	56 [1422]	30 [762]	21 [533]	12 [305]	45 [1143]	7 [178]	18 [457]	36-1/2 [927]	11-1/4 [286]	30 [762]
40	10 X 8 [254 X 203]	54 [1372]	68 [1727]	59 [1499]	30 [762]	24 [610]	15 [381]	48 [1219]	10 [254]	18 [457]	36-1/2 [927]	11-1/4 [286]	30 [762]

<p>TITLE:</p> <p>MODEL VDD DIRECT DRIVE DUAL BLOWER COIL UNIT BASIC UNIT - DISCHARGE ARG. 2 W/ MIXING BOX</p>		
	<p>DRN BY: CV DATE: 11/15/19 SCALE: NTS DRAWING NO.</p> <p>CKD BY: TJW DATE: 11/16/19 REV: A</p>	<p>37-80027</p>

THIS DRAWING CONTAINS PROPRIETARY DATA. UNAUTHORIZED DISCLOSURE, REPRODUCTION, OR USE IS STRICTLY PROHIBITED WITHOUT WRITTEN PERMISSION.

DO NOT SCALE DRAWING. DIMENSIONS AND DATA ARE SUBJECT TO CHANGE WITHOUT NOTICE. CONTACT FACTORY FOR CERTIFIED DRAWINGS.