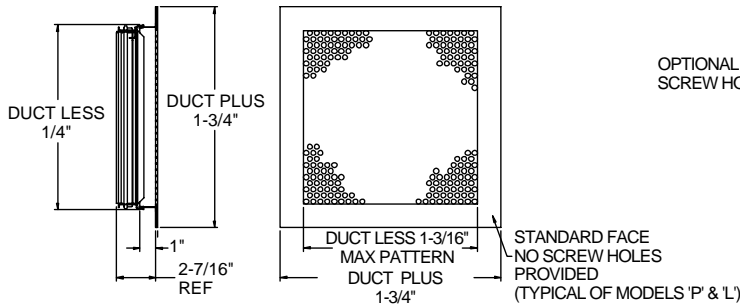
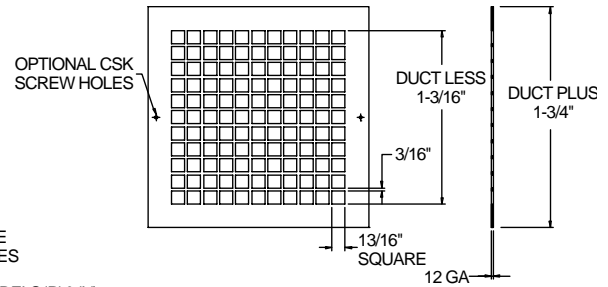


SG800 Series Standard Construction Details

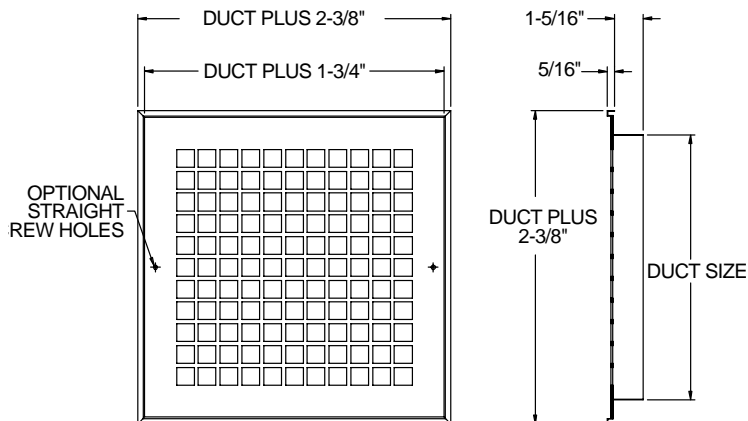
- **SG800L:** Lattice face plate, 12 ga. steel, 13/16" x 13/16" square holes with 3/16" frets, 66% free area
- **SG800P:** Perforated face plate, 12 ga. steel, 5/16" round holes on 7/16" staggered centers
- **Finish:** White (WH) or Mill (ML)



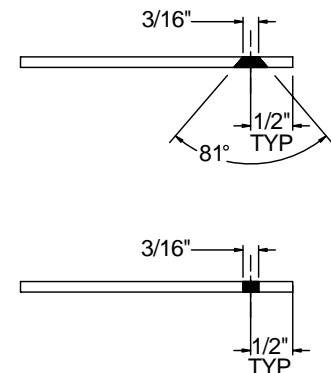
SG800P, Perforated Face Plate
Face / Side View & Damper Detail



SG800L, Lattice Face Plate
Face / Side View Detail



SG800L, Lattice face plate with plaster frame
Face / Side View Detail



Screw Hole Detail

Options / Accessories:

- Counter sunk screw holes, 3/16" dia.
- Straight screw holes, 3/16" dia.
- No screw holes
- Face operated steel opposed blade damper
- Steel plaster frame
- *Security screws provided by others

Available Sizes:

6" x 4" to 30" x 30" in 2" increments

Dimensions are in inches. Product information subject to change without notice.

PROJECT: _____
 ARCHITECT: _____
 ENGINEER: _____
 CONTRACTOR: _____
 LOCATION: _____

SUBMITTED BY: _____

DATE: 2-25-02 | SD-1835

SG800 Series
 Security Grilles,
 Lattice or Perforated Face
 Steel