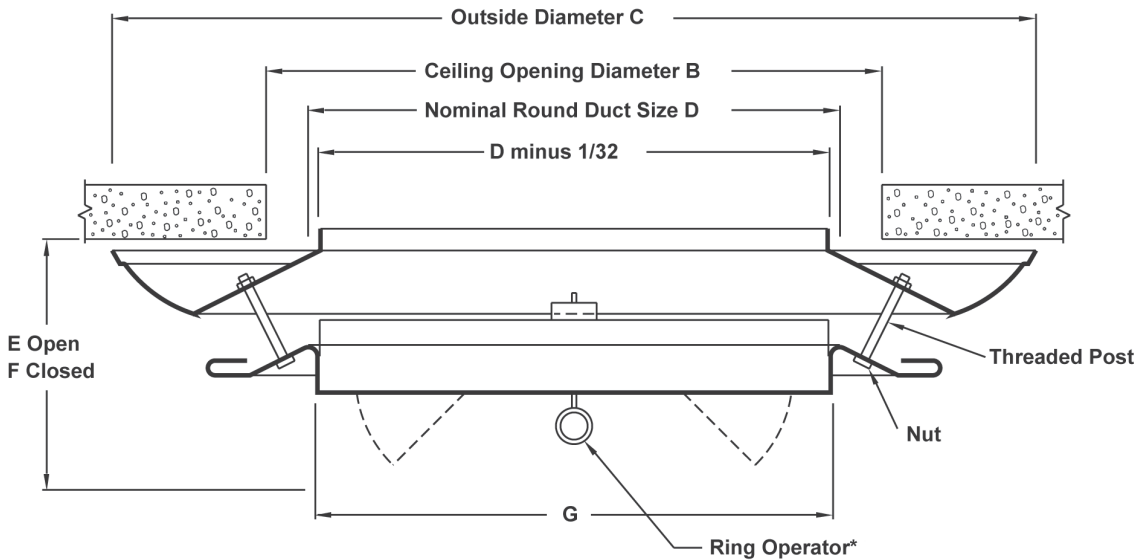




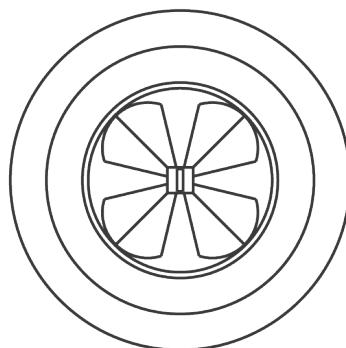
# PRODUCT DIMENSIONS

## VB



### Model VB

Nominal Round Duct Size D	B	C	E	F	G
10	10-1/2	18-1/4	7-1/2	3	10
12	12-1/2	22	9-3/8	4	12
14	14-1/2	26	6-3/4	4	14
16	16-1/2	29	8-1/2	5	16
18	18-1/2	32-1/2	9-1/8	5	18
20	20-1/2	36	10-3/8	5-1/2	20
24	24-1/2	43-1/4	12-1/4	6-5/8	24
30	30-1/2	53-5/8	13-7/8	8-1/4	30
36	36-1/2	64-3/8	15-5/8	10	36



### Face View

\*To adjust airflow discharge pattern, turn the ring operator clockwise or counter clockwise to open and close the inner vane assembly. Open position results in vertical discharge air pattern. Closed position results in horizontal pattern. Inner vane assembly can be easily removed as a unit.