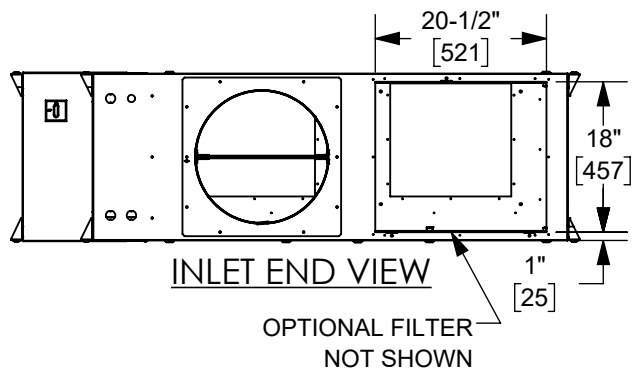
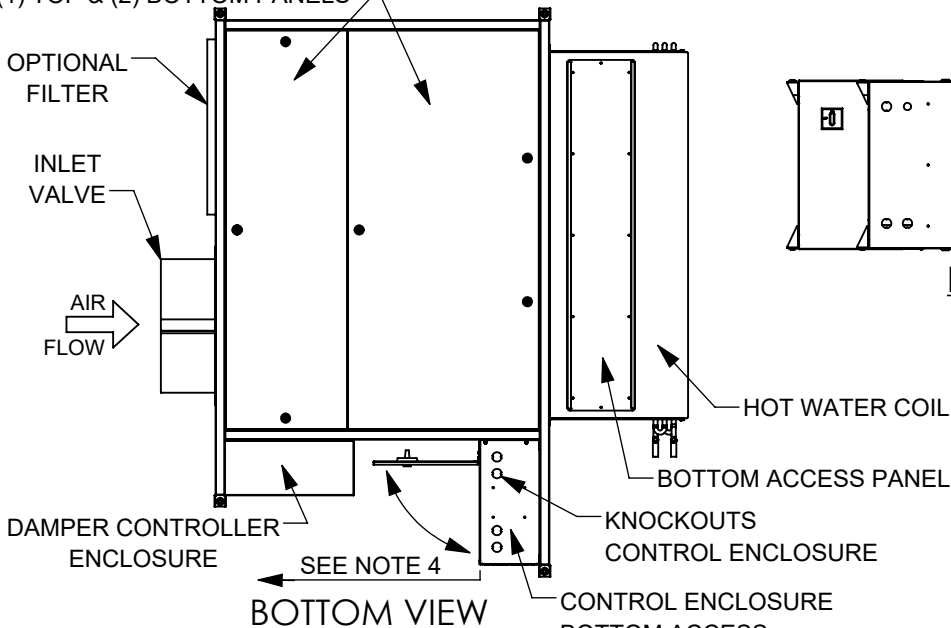


ACCESS SERVICE PANELS

(1) TOP & (2) BOTTOM PANELS



INLET VALVE			
DIA.	"A"	"B"	Ø "I"
12"	19" [483]	39-3/8" [1000]	11-7/8" [302]
14"	20" [508]	38-3/8" [975]	13-7/8" [352]
16"	21" [533]	37-3/8" [950]	15-7/8" [403]

HW COIL 1/2" DIA		HW COIL 3/8" DIA	
"C"	"D"	"C"	"D"
15-1/4" [387]	3-3/4" [95]	16-1/4" [413]	2-3/4" [70]

NOTES:

- All dimensions in Inches [millimeters]. All dimensions ± 1/4" [6mm].
- Left Hand Enclosure, Hot Water Coil shown, Right Hand are opposite. Hanging determined by air flow hitting your back.
- 90 degree Electrical Enclosure is perpendicular to the unit side. Includes (4) knockouts on both side and bottom. Provide sufficient clearance to access electrical controls and comply with applicable codes and ordinances. 4. Maintain clearance per NEC (in direction of arrow).

THIS DRAWING CONTAINS PROPRIETARY DATA. UNAUTHORIZED DISCLOSURE, REPRODUCTION, OR USE IS STRICTLY PROHIBITED WITHOUT WRITTEN PERMISSION.

**SUBMITTAL DRAWING**  
ALL DRAWINGS ARE SUBJECT TO CHANGE WITHOUT PRIOR NOTICE

**DO NOT SCALE DRAWING**  
DIMENSIONS ARE IN INCH (MM) FORMAT +/- 1/8 (3) UNLESS OTHERWISE NOTED

TITLE:	<b>MODEL CRB SIZES 35 &amp; 45, W/ HOT WATER COIL, 90 DEGREE ENCLOSURE</b>		
DATE	SHEET	DRAWING NO	REV
11/09/21	PAGE 1 OF 1	10-80131	A