

DIMENSIONS

UNIT SIZE	A	B	C	D	E	F	H
06	34-7/8" [886]	24-5/8" [721]	23-1/8" [587]	20" [508]	14" [356]	19" [483]	12-5/8" [321]
08	39-7/8" [1013]	29-5/8" [737]	28-1/8" [714]	25" [635]	19" [483]	24" [610]	16-5/8" [422]
10	43-7/8" [1114]	33-5/8" [838]	32-1/8" [816]	29" [737]	23" [584]	28" [711]	20-5/8" [524]
12	48-7/8" [1241]	38-5/8" [965]	37-1/8" [943]	34" [864]	28" [711]	33" [838]	24-5/8" [625]
14	53-7/8" [1368]	43-5/8" [1092]	42-1/8" [1070]	39" [991]	33" [838]	38" [965]	28-5/8" [727]
16	58-7/8" [1495]	48-5/8" [1219]	47-1/8" [1197]	44" [1118]	38" [965]	43" [1092]	32-5/8" [829]
18	63-7/8" [1622]	53-5/8" [1346]	52-1/8" [1324]	49" [1245]	43" [1092]	48" [1219]	36-5/8" [930]
20	67-7/8" [1724]	57-5/8" [1448]	56-1/8" [1426]	53" [1346]	47" [1194]	52" [1321]	40-5/8" [1032]

NOTES:

1. All dimensions in Inches [millimeters]. All dimensions ±1/4" [6mm]. Metric values are soft conversion.
2. Right hand unit shown, Left hand unit opposite.
3. Standard control enclosure is mounted on unit side opposite cooling coil connections and includes (4) knockouts on (2) sides. Provide sufficient clearance to access electrical controls and comply with applicable codes and ordinances.
4. No Side Filter Access with Mixing Box.
5. (H) Dimension applied for both dampers.

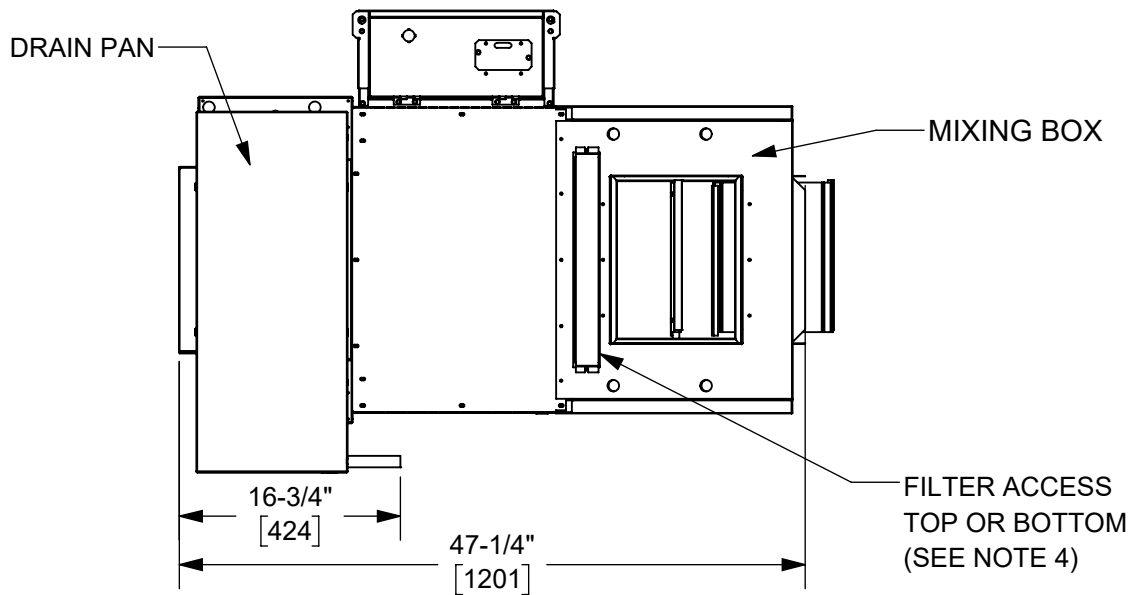
UNCONTROLLED WHEN PRINTED



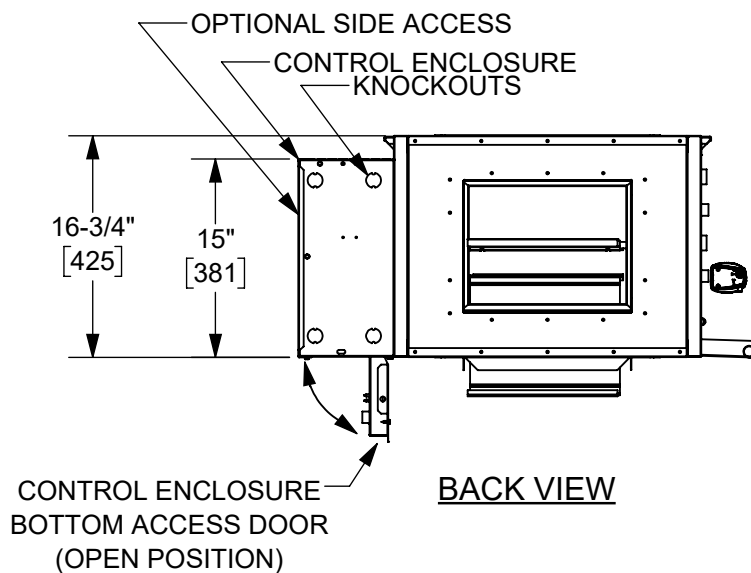
SUBMITTAL DRAWING
ALL DRAWINGS ARE SUBJECT TO CHANGE WITHOUT PRIOR NOTICE

DO NOT SCALE DRAWING
DIMENSIONS ARE IN INCH (MM) FORMAT +/- 1/8 (3) UNLESS OTHERWISE NOTED

TITLE: MODEL HPP W/O ELECTRIC HEAT W/ MIXING BOX		DATE	SHEET	DRAWING NO	REV
		08/12/22	PAGE 1 OF 2	82-80042	B



BOTTOM VIEW



BACK VIEW

NOTES:

1. All dimensions in Inches [millimeters]. All dimensions $\pm 1/4"$ [6mm]. Metric values are soft conversion.
2. Right hand unit shown, Left hand unit opposite.
3. Standard control enclosure is mounted on unit side opposite cooling coil connections and includes (4) knockouts on (2) sides. Provide sufficient clearance to access electrical controls and comply with applicable codes and ordinances.
4. No Side Filter Access with Mixing Box.

UNCONTROLLED WHEN PRINTED



THIS DRAWING CONTAINS PROPRIETARY DATA. UNAUTHORIZED DISCLOSURE, REPRODUCTION, OR USE IS STRICTLY PROHIBITED WITHOUT WRITTEN PERMISSION.

SUBMITTAL DRAWING
ALL DRAWINGS ARE SUBJECT TO CHANGE WITHOUT PRIOR NOTICE

DO NOT SCALE DRAWING
DIMENSIONS ARE IN INCH [MM] FORMAT +/- 1/8 [3] UNLESS OTHERWISE NOTED

TITLE: **MODEL HPP W/O ELECTRIC HEAT W/ MIXING BOX**

DATE	SHEET	DRAWING NO	REV
08/12/22	PAGE 2 OF 2	82-80042	B