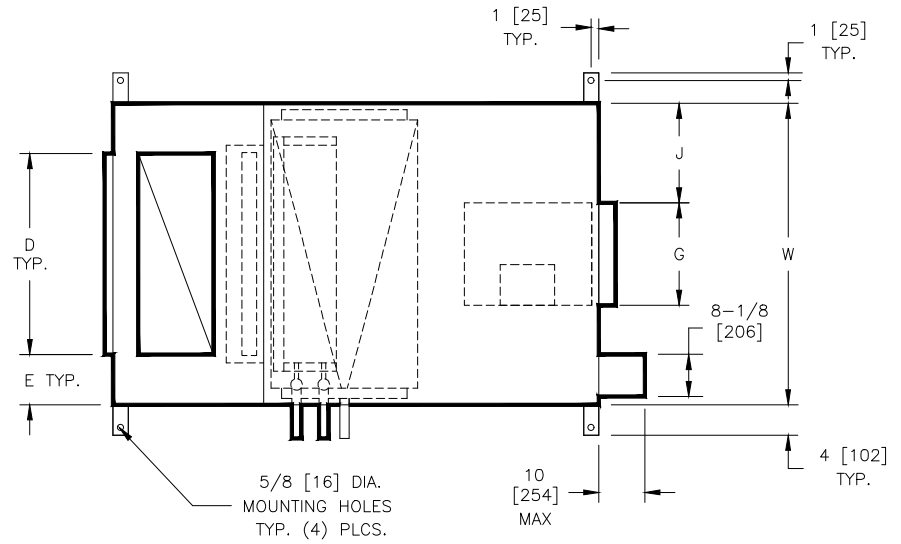
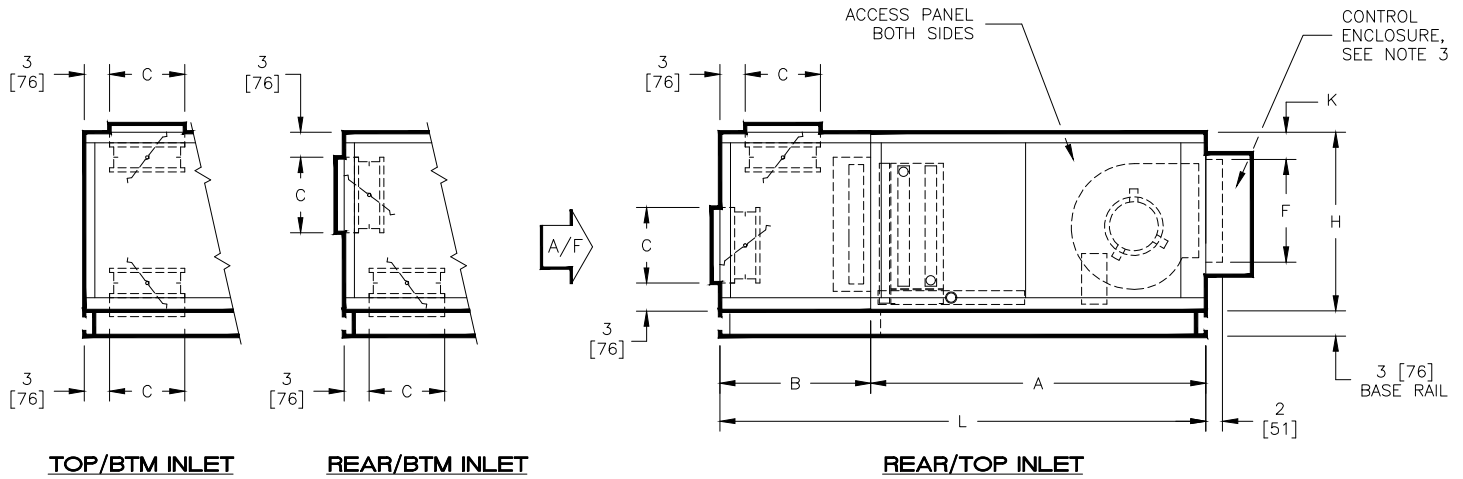


NOTES:

1. All dimensions are Inches [millimeters].  
All dimensions are  $\pm 1/4"$  [6mm]. Metric values are soft conversion.
2. Right hand unit shown, left hand unit opposite. Motor/drive location may be specified Left or Right Hand. Standard control enclosure location matches motor/drive position.
3. Provide sufficient clearance to permit access to controls and comply with applicable codes and ordinances.
4. See drawing 35-80048 for filter rack details.
5. See coil connection detail drawings for coil connection sizes and locations.
6. High efficiency filter rack not available with mixing box.



TOP VIEW



SIDE VIEWS

DIMENSIONS

| SIZE | FAN SIZE              | L            | W            | H               | A            | B           | C           | D            | E           | F               | G               | J               | K              |
|------|-----------------------|--------------|--------------|-----------------|--------------|-------------|-------------|--------------|-------------|-----------------|-----------------|-----------------|----------------|
| 08   | 9 X 6<br>[229 X 152]  | 58<br>[1473] | 30<br>[762]  | 21<br>[533]     | 40<br>[1016] | 18<br>[457] | 9<br>[229]  | 18<br>[457]  | 6<br>[152]  | 10-3/8<br>[264] | 8-3/8<br>[213]  | 10-7/8<br>[276] | 2<br>[51]      |
| 12   | 9 X 6<br>[229 X 152]  | 58<br>[1473] | 36<br>[914]  | 21<br>[533]     | 40<br>[1016] | 18<br>[457] | 9<br>[229]  | 24<br>[610]  | 6<br>[152]  | 10-3/8<br>[264] | 8-3/8<br>[213]  | 13-7/8<br>[352] | 2<br>[51]      |
| 16   | 10 X 8<br>[254 X 203] | 58<br>[1473] | 44<br>[1118] | 21<br>[533]     | 40<br>[1016] | 18<br>[457] | 9<br>[229]  | 30<br>[762]  | 7<br>[178]  | 11-1/2<br>[292] | 10-5/8<br>[270] | 16-5/8<br>[422] | 2<br>[51]      |
| 20   | 10 X 8<br>[254 X 203] | 61<br>[1549] | 50<br>[1270] | 22-1/2<br>[572] | 40<br>[1016] | 21<br>[533] | 12<br>[305] | 36<br>[914]  | 7<br>[178]  | 11-1/2<br>[292] | 10-5/8<br>[270] | 19-5/8<br>[498] | 2<br>[51]      |
| 30   | 10 X 8<br>[254 X 203] | 67<br>[1702] | 59<br>[1499] | 30<br>[762]     | 46<br>[1168] | 21<br>[533] | 12<br>[305] | 45<br>[1143] | 7<br>[178]  | 11-1/2<br>[292] | 10-5/8<br>[270] | 24-1/4<br>[616] | 9-3/4<br>[248] |
| 40   | 10 X 8<br>[254 X 203] | 70<br>[1778] | 68<br>[1727] | 30<br>[762]     | 46<br>[1168] | 24<br>[610] | 15<br>[381] | 48<br>[1219] | 10<br>[254] | 11-1/2<br>[292] | 10-5/8<br>[270] | 28-5/8<br>[727] | 9-3/4<br>[248] |

TITLE: MODEL HDD  
DIRECT DRIVE BLOWER COIL UNIT  
BASIC UNIT - DISCHARGE ARGT. 3  
W/ MIXING BOX



|                |                   |               |             |
|----------------|-------------------|---------------|-------------|
| DRN BY:<br>VSC | DATE:<br>06/14/21 | SCALE:<br>NTS | DRAWING NO. |
| CKD BY:<br>BL  | DATE:<br>06/14/21 | REV:<br>C     | 35-80034    |

THIS DRAWING CONTAINS PROPRIETARY DATA. UNAUTHORIZED DISCLOSURE, REPRODUCTION, OR USE IS STRICTLY PROHIBITED WITHOUT WRITTEN PERMISSION.

DO NOT SCALE DRAWING  
DIMENSIONS AND DATA ARE SUBJECT TO CHANGE WITHOUT NOTICE.  
CONTACT FACTORY FOR CERTIFIED DRAWINGS.