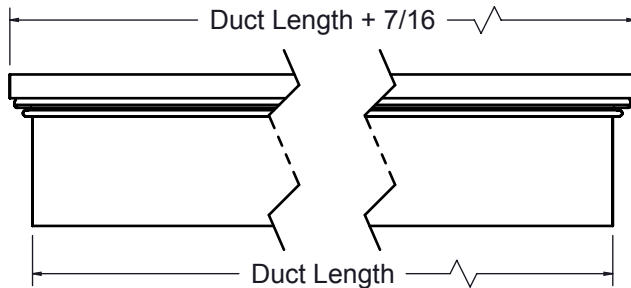
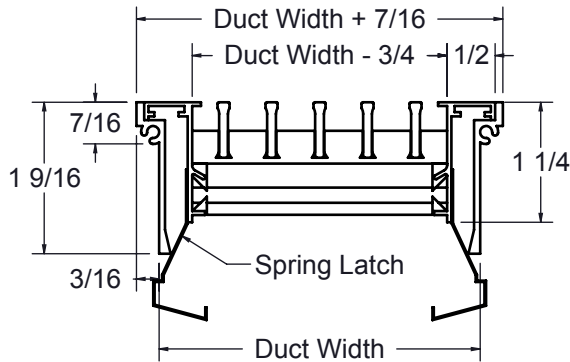


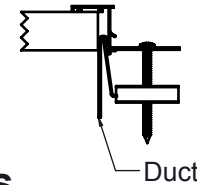
- Eight available core styles
- Extruded aluminum construction
- Size limitations are 6" x 2" minimum and 72" x 24" maximum for single piece
- Sizes available in 1/2" increments
- Core reinforcement option increases number of support bars to provide additional structural support
- Not recommended for ceiling without concealed mounting brackets
- Standard finishes available are white (WH) and mill (ML)



## Accessories

### CMB - Concealed Mounting Brackets

(Spring Latch not included, not available on Core A0/A1; max width available is 12")



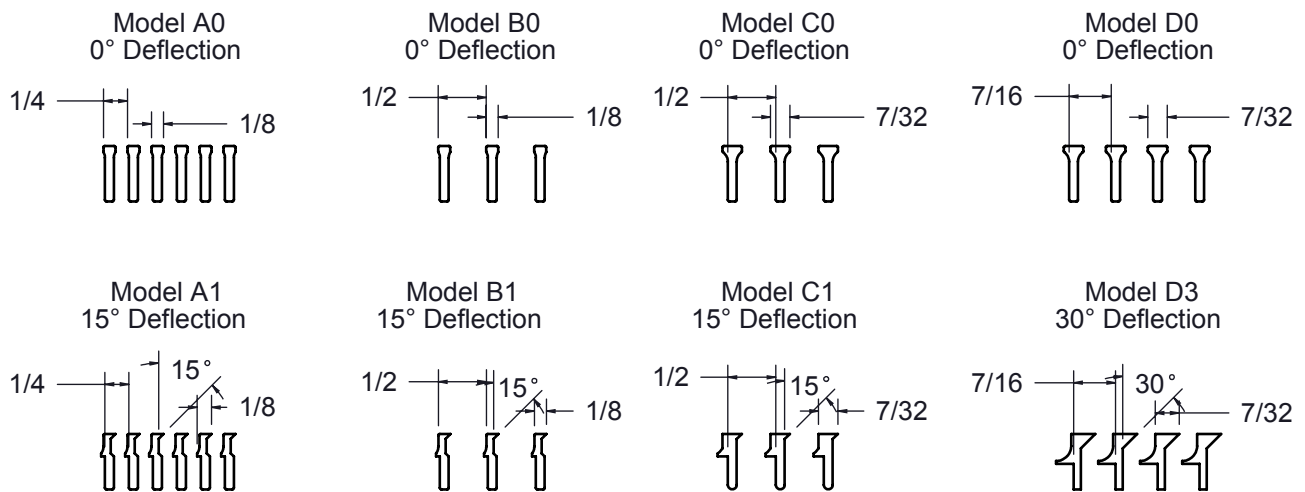
## Options

- Standard
- Core Reinforced

## Finishes

- WH - White
- ML - Mill
- AP - Aluminum Paint
- OW - Off-White
- FB - Flat Black
- MP - Match Paint
- CA - Clear Anodized

## Available Cores



Dimensions in inches

Job: _____	Tag: _____	<b>4000 Linear Diffuser</b> <b>Mounting Style 2SL,</b> <b>1/2" Frame</b> <b>(Requires 050 Margin)</b> <b>Ceiling, Sidewall &amp; Sill App.</b>
Location: _____	Submitted By: _____	
Architect: _____		
Engineer: _____		
Contractor: _____	SD - 2076	Rev: C (02/11)