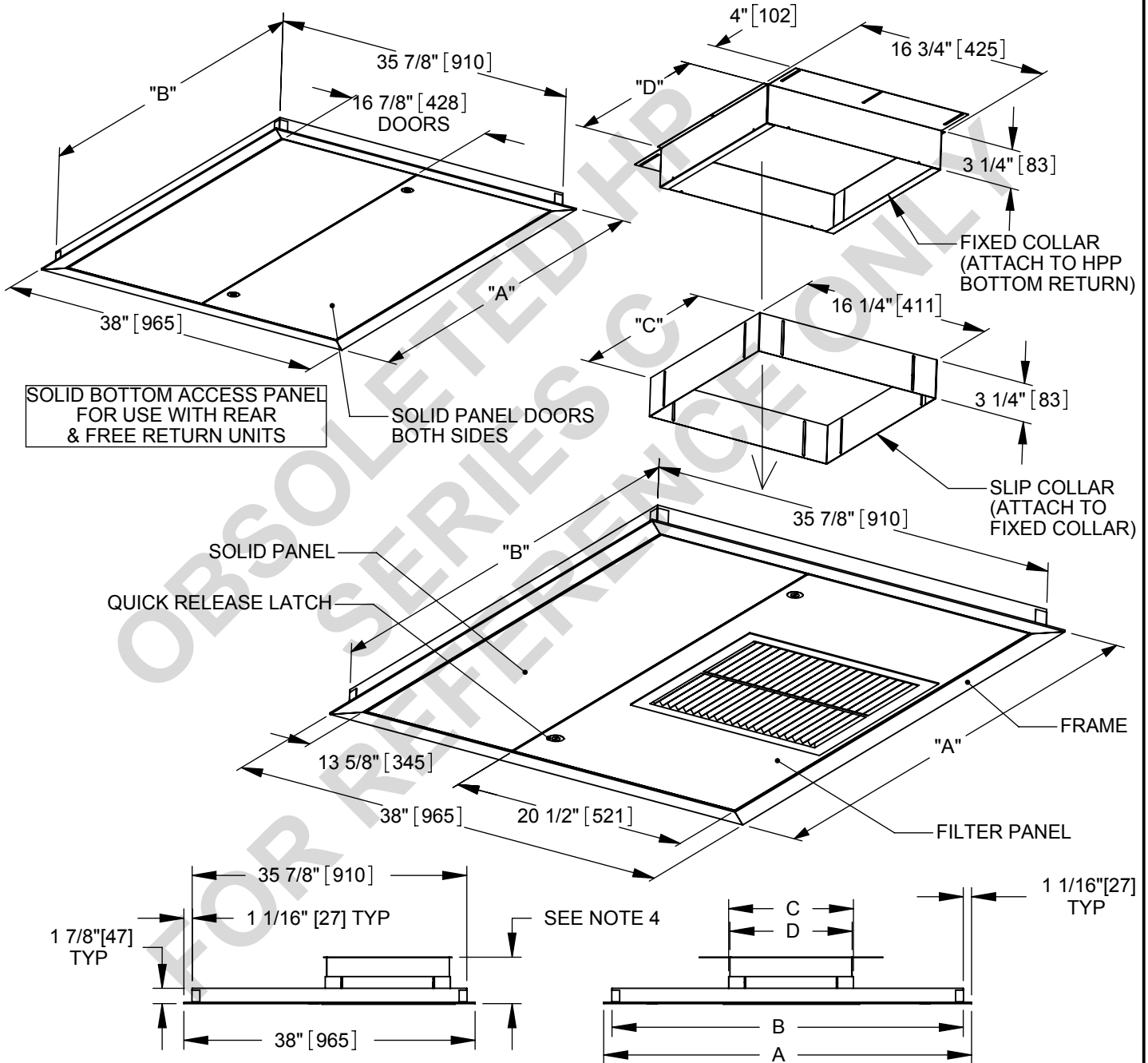


UNIT SIZE	"A"		"B"		"C"		"D"		RECOMMENDED CEILING CUT-OUT	
	in	mm	in	mm	in	mm	in	mm	in	mm
06	48	[1219]	45 7/8	[1164]	16	[408]	15 7/8	[404]	46 1/8 X 36 1/8	[1171 X 918]
08	53	[1346]	50 7/8	[1291]	20	[509]	19 7/8	[506]	51 1/8 X 36 1/8	[1298 X 918]
10	57	[1448]	54 7/8	[1392]	25	[636]	24 7/8	[633]	55 1/8 X 36 1/8	[1400 X 918]
12	62	[1575]	59 7/8	[1519]	32	[814]	31 7/8	[811]	60 1/8 X 36 1/8	[1527 X 918]
14	67	[1702]	64 7/8	[1646]	36	[916]	35 7/8	[912]	65 1/8 X 36 1/8	[1654 X 918]
16	72	[1829]	69 7/8	[1773]	40	[1017]	39 7/8	[1014]	70 1/8 X 36 1/8	[1781 X 918]
18	77	[1956]	74 7/8	[1900]	45	[1144]	44 7/8	[1141]	75 1/8 X 36 1/8	[1908 X 918]
20	81	[2057]	78 7/8	[2002]	50	[1271]	49 7/8	[1268]	79 1/8 X 36 1/8	[2009 X 918]



NOTES:

1. ALL DIMENSIONS ARE IN INCHES [mm] AND ARE +/- 1/8"
2. 1" TAW FILTER STANDARD, 1" OR 2" PLEATED FILTERS ARE OPTIONAL
3. BOTTOM PANELS ARE REMOVABLE
4. TOTAL TELESCOPING ADJUSTMENT IS 3 1/2" TO 6 1/2"
5. FILTER AND GRILLE SIZES ARE THE SAME FOR FOR EACH UNIT SIZE IN THE HP PRODUCT LINE

TELESCOPING / FILTER
BOTTOM ACCESS PANEL
FOR USE WITH BOTTOM
& FREE RETURN UNITS



THIS DRAWING CONTAINS PROPRIETARY DATA. UNAUTHORIZED DISCLOSURE, REPRODUCTION, OR USE IS STRICTLY PROHIBITED WITHOUT WRITTEN PERMISSION.

SUBMITTAL DRAWING
ALL DRAWINGS ARE SUBJECT TO CHANGE
WITHOUT PRIOR NOTICE

DO NOT SCALE DRAWING
DIMENSIONS ARE IN INCHES UNLESS
OTHERWISE NOTED

TITLE: **MODEL HP TELESCOPING/ FILTER
& SOLID BOTTOM ACCESS PANELS**

DATE	SHEET	DRAWING NO	REV
9/10/15	PAGE 1 OF 1	82-80008	01