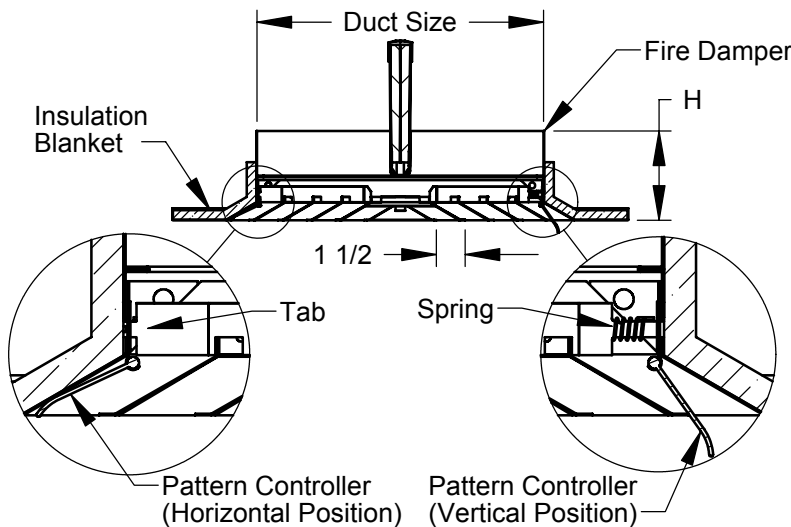
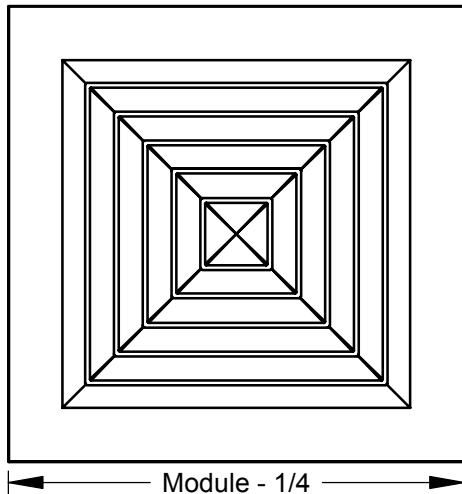
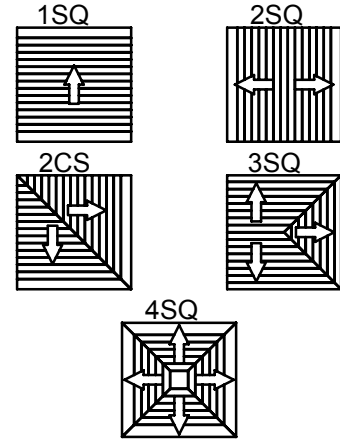


- UL Classified Fire Rated Assembly with three hour fire rated damper
- Non-asbestos thermal insulation blanket
- Fire resistance rating of 3 hours
- 212°F Fusible link standard
- Available in Lay-In frame style only
- Heavy gauge steel construction with white paint finish
- Core is removable without the use of tools



Available Deflection Patterns

Patterns shown in plan view (looking down into inlet)



Available Sizes

Module	Neck	Standard H	Extended Neck (Opt.) H
12x12	6x6	4 1/2	7 1/2
24x24	6x6	4 1/2	7 1/2
	9x9	4 1/2	7 1/2
	12x12	4 1/2	9 1/2
	15x15	4 1/2	9 1/2
	18x18	4 1/2	12 1/2

Options:

- UL Listed Fusible Volume Control
- 165°F Fusible Link
- Extended Neck

Available Colors:

- White Mill (No Paint) Aluminum Paint
- Off White Flat Black Match Paint

Core removal:

- 1) Remove shipping clip from Tab
- 2) Push core against Spring
- 3) Lower Tab side of core and remove

Dimensions in inches

Job: _____	Submitted By: _____		MA-FR Louvered Face Diffuser Steel - Adjustable Pattern Fire Rated
Location: _____	SD-1913 Rev: A (1/05)		
Architect: _____			
Engineer: _____			
Contractor: _____			