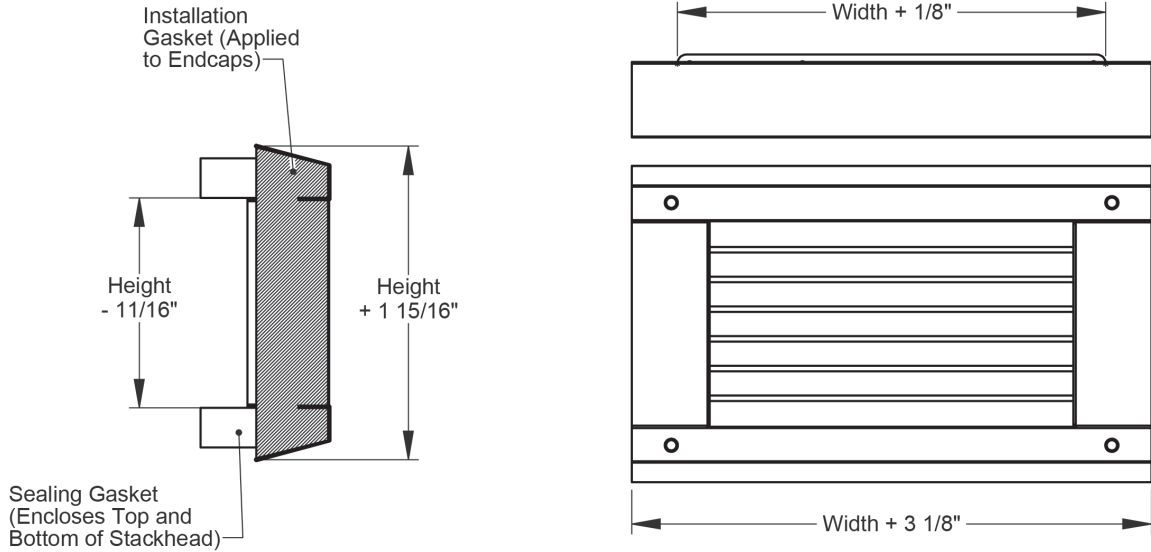




# PRODUCT DIMENSIONS

## SDT50-U, SDT60-U



SDT50-U



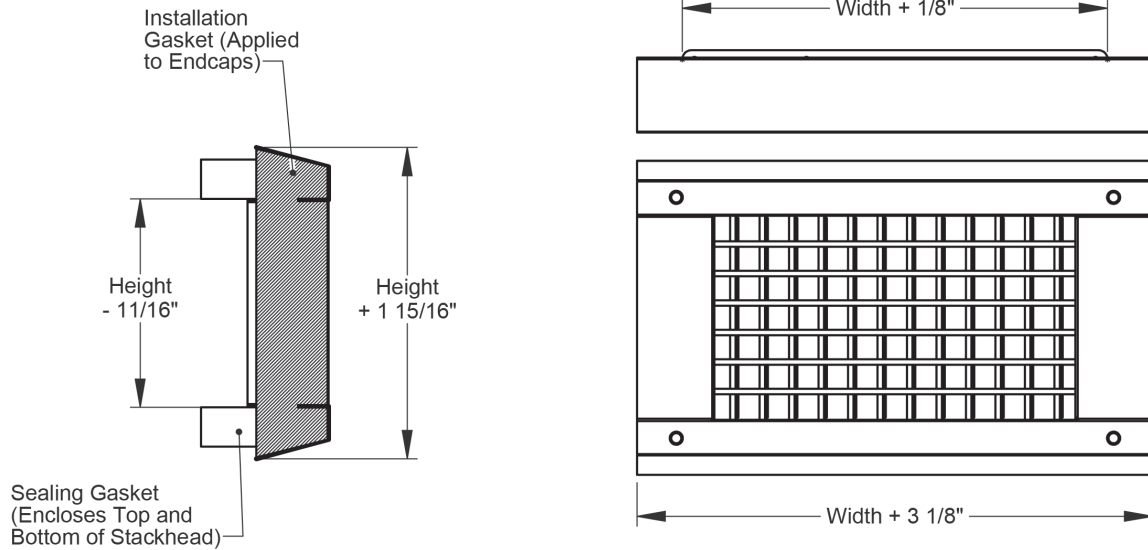
SDT60-U



Height	3	4	6	8	10
Duct Diameter (Min / Max)	6 / 36	10 / 36	12 / 36	20 / 36	24 / 36
Width (Min / Max)	10 / 48		14 / 48		16 / 48

# PRODUCT DIMENSIONS

## SDT54-U, SDT64-U



SDT54-U



SDT64-U

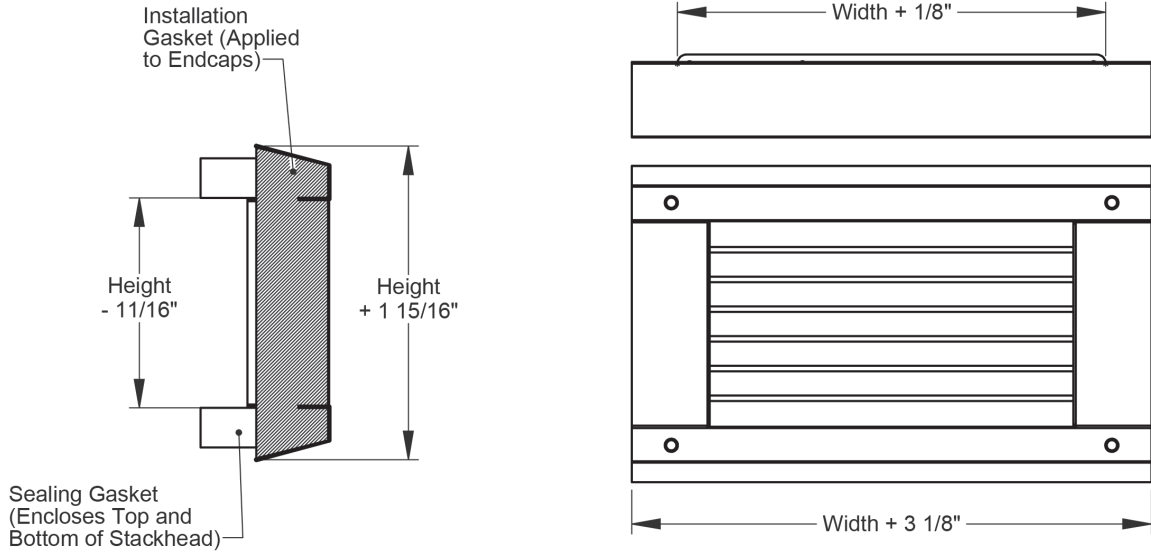


Height	3	4	6	8	10
Duct Diameter (Min / Max)	6 / 36	10 / 36	12 / 36	20 / 36	24 / 36
Width (Min / Max)	10 / 48		14 / 48		16 / 48



# PRODUCT DIMENSIONS

## SDA50-U, SDA60-U



SDA50-U



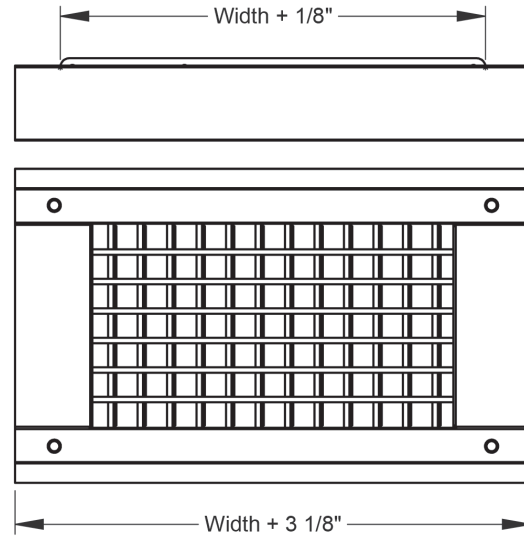
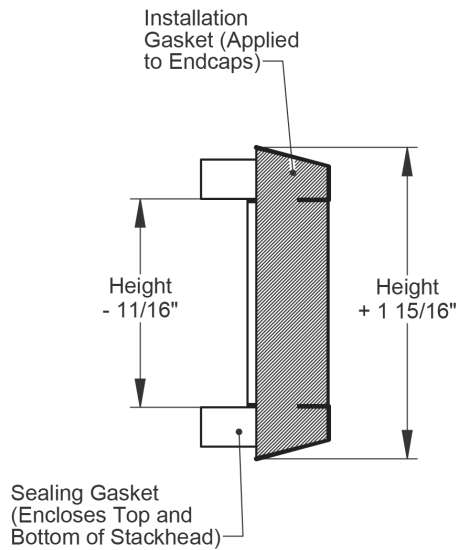
SDA60-U



Height	3	4	6	8	10
Duct Diameter (Min / Max)	6 / 36	10 / 36	12 / 36	20 / 36	24 / 36
Width (Min / Max)	10 / 48		14 / 48		16 / 48

# PRODUCT DIMENSIONS

## SDA54-U, SDA64-U



SDA54-U



SDA64-U



Height	3	4	6	8	10
Duct Diameter (Min / Max)	6 / 36	10 / 36	12 / 36	20 / 36	24 / 36
Width (Min / Max)	10 / 48		14 / 48		16 / 48