

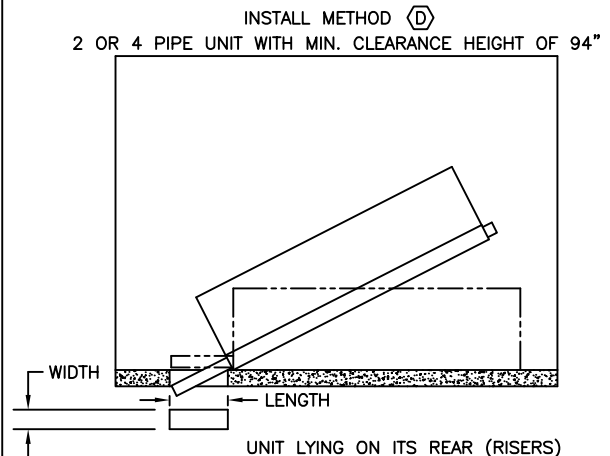
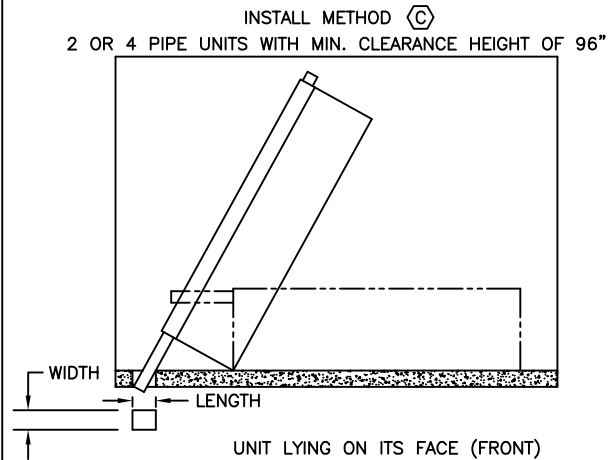
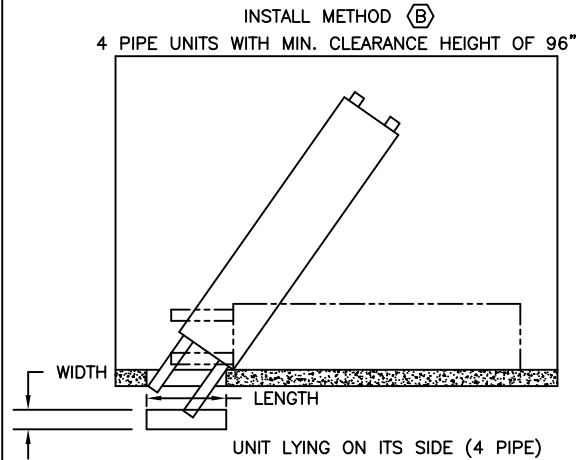
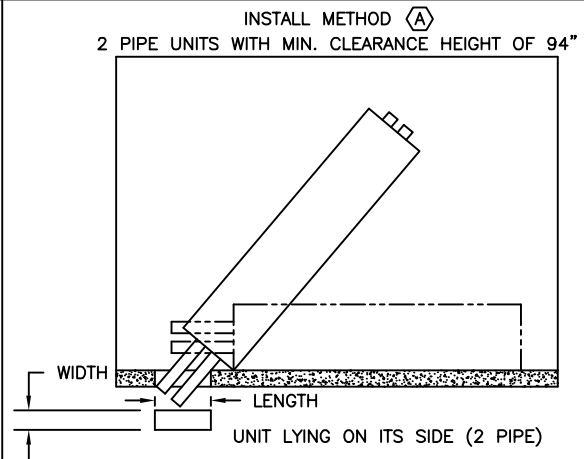
USE THIS CHART TO DETERMINE LENGTH OF SLOT NEEDED,
LENGTH IS MEASURED PARALLEL TO UNIT HEIGHT.
SEE ILLUSTRATIONS TO THE RIGHT.

UNIT SIZE	PIPE DIAMETER	INSTALLATION METHOD			
		(A)	(B)	(C)	(D)
03-04	3/4 TO 1-1/2	11-11/16	18-9/16	4-5/8	8-11/16
	2 TO 3	13-1/16	20	6-1/16	10
	ADD PER INCH OVER 100	5/8	11/16	1/4	11/16
06-08	3/4 TO 1-1/2	11-3/4	18-7/16	5-1/2	8-11/16
	2 TO 3	12-15/16	19-7/8	6	10
	ADD PER INCH OVER 100	9/16	11/16	1/4	11/16
10-12	3/4 TO 1-1/2	11-5/16	18-1/4	4-5/16	8-11/16
	2 TO 3	12-11/16	19-11/16	5-13/16	10
	ADD PER INCH OVER 100	1/2	9/16	1/4	11/16

USE THIS CHART TO DETERMINE WIDTH OF SLOT NEEDED,
WIDTH IS MEASURED PERPENDICULAR TO UNIT HEIGHT.
SEE ILLUSTRATIONS TO THE RIGHT.

PIPE DIAMETER		SLOT WIDTH			
		(A)	(B)	(C)	(D)
3/4"	2 PIPE	2-3/4"	N/A	8-3/4"	USE (C)
	4 PIPE	N/A	2-3/4"	16"	USE (C)
1"	2 PIPE	3"	N/A	9"	USE (C)
	4 PIPE	N/A	3"	16-1/4"	USE (C)
1-1/4"	2 PIPE	3-1/4"	N/A	9-1/4"	USE (C)
	4 PIPE	N/A	3-1/4"	16-1/2"	USE (C)
1-1/2"	2 PIPE	3-1/2"	N/A	9-1/2"	USE (C)
	4 PIPE	N/A	3-1/2"	16-3/4"	USE (C)
2"	2 PIPE	4"	N/A	10"	USE (C)
	4 PIPE	N/A	4"	17-1/4"	USE (C)
2-1/2"	2 PIPE	4-1/2"	N/A	10-1/2"	USE (C)
	4 PIPE	N/A	4-1/2"	17-3/4"	USE (C)
3"	2 PIPE	5"	N/A	11"	USE (C)
	4 PIPE	N/A	5"	18-1/4"	USE (C)

NOTE:
SOME UNITS MAY HAVE DIFFERENT LENGTH AND DIAMETERS OF PIPE.
ALWAYS USE THE LONGEST AND/OR LARGEST DIAMETER
WHEN DETERMINING SLOT LENGTHS AND WIDTHS.



TITLE:

SUGGESTED RISER FLOOR OPENINGS
MODEL VHC & VHM UNITS



DRN BY: JAP	DATE: 01/25/01	SCALE: 1=60	DRAWING NO.
CKD BY: HANK	DATE: 12/4/03	REV: 01	

VH-109

THIS DRAWING CONTAINS PROPRIETARY DATA.
UNAUTHORIZED DISCLOSURE, REPRODUCTION, OR USE
IS STRICTLY PROHIBITED WITHOUT WRITTEN PERMISSION

DO NOT SCALE DRAWING
DIMENSIONS AND DATA ARE SUBJECT TO CHANGE WITHOUT NOTICE.
CONTACT FACTORY FOR CERTIFIED DRAWINGS.