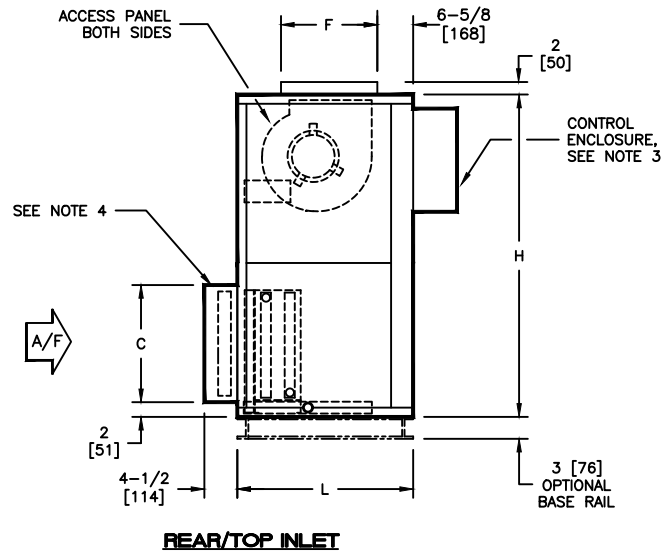
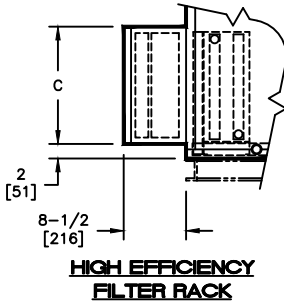
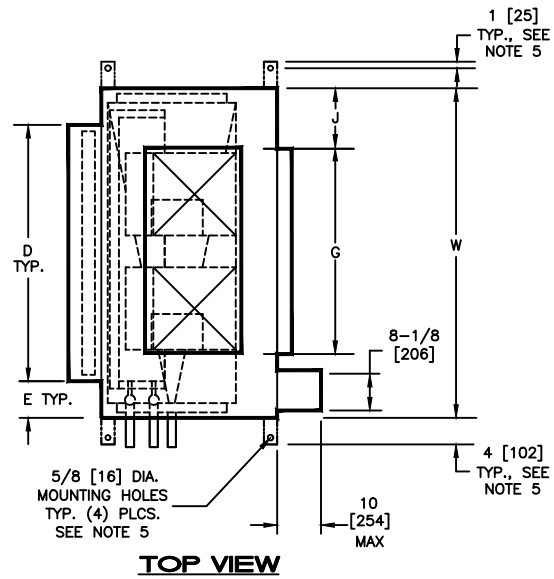


NOTES:

1. All dimensions are Inches [millimeters].
All dimensions are $\pm 1/4"$ [6mm]. Metric values are soft conversion.
2. Right hand unit shown, left hand unit opposite.
Motor/drive location may be specified Left or Right Hand. Standard control enclosure location matches motor/drive position.
3. Provide sufficient clearance to permit access to controls and comply with applicable codes and ordinances.
4. See drawing 35-80048 for filter rack details.
5. Base rail is optional on the base unit. See drawing 35-80050. Base rails must be used with mixing box.
6. See coil connection detail drawings for coil connection sizes and locations.



DIMENSIONS

SIZE	FAN SIZE	L	W	H	C	D	E	F	G	J
30	10 X 8 [254 X 203]	30 [762]	59 [1499]	56 [1422]	25 [635]	51 [1295]	4 [102]	18 [457]	36-1/2 [927]	11-1/4 [286]
40	10 X 8 [254 X 203]	30 [762]	68 [1727]	59 [1499]	25 [635]	59 [1499]	4-1/2 [114]	18 [457]	36-1/2 [927]	15-3/4 [400]

TITLE:

MODEL VDD
DIRECT DRIVE DUAL BLOWER COIL UNIT
BASIC UNIT - DISCHARGE ARG. 2



DRN BY: CV	DATE: 11/15/19	SCALE: NTS	DRAWING NO.
CKD BY: TJW	DATE: 11/15/19	REV: A	

37-80034

THIS DRAWING CONTAINS PROPRIETARY DATA.
UNAUTHORIZED DISCLOSURE, REPRODUCTION, OR USE
IS STRICTLY PROHIBITED WITHOUT WRITTEN PERMISSION

DO NOT SCALE DRAWING
DIMENSIONS AND DATA ARE SUBJECT TO CHANGE WITHOUT NOTICE.
CONTACT FACTORY FOR CERTIFIED DRAWINGS.