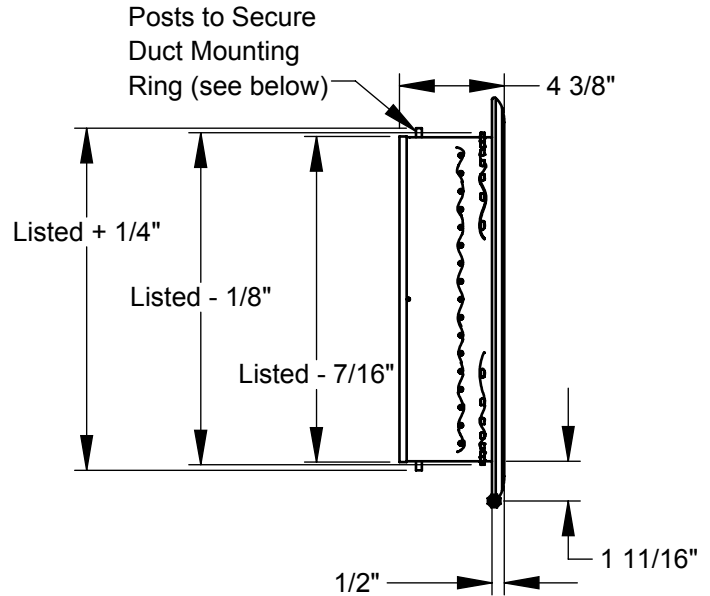
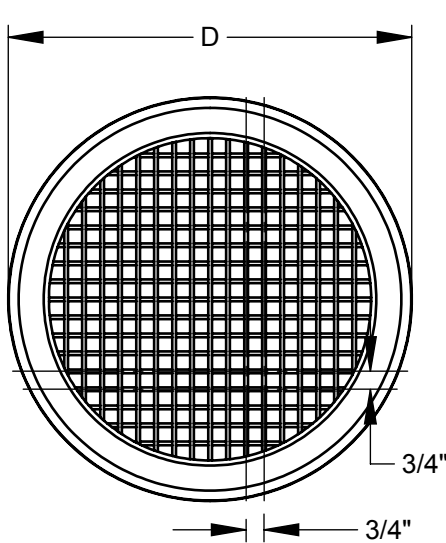
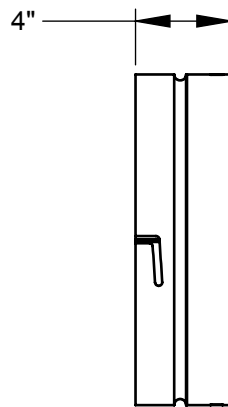
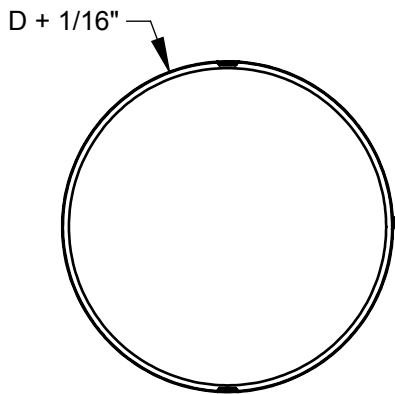


- Aluminum construction
- Extruded 3/4" blades on 3/4" centers
- Rolled margin
- Duct mounting ring for installation
- Standard finishes are White (WH) and Mill (ML)
- Damper Accessory Available (Excluding Size 18 and 20)



Duct Mounting Ring Accessory



Listed Duct Diameter	D
6	8 7/8"
8	10 7/16"
10	12 11/16"
12	14 15/16"
14	16 7/8"
16	18 7/8"
18	20 11/16"
20	22 13/16"

Finishes

- White (WH)
- Mill (ML)
- Aluminum Paint (AP)
- Off-White (OW)
- Flat Black (FB)
- Match Paint (MP)

Accessories

- Duct Mounting Ring
- Damper (Duct Ring Required)

Dimensions in inches

Job: _____	Tag: _____	RA54 Round Grille Double Deflection Aluminum
Location: _____	Submitted By: _____	
Architect: _____		
Engineer: _____		
Contractor: _____	SD - 2020	Rev: D (06/19)

These drawings do not detail every aspect of the product. This submittal demonstrates general product dimensions; drawings are not to scale. Tuttle & Bailey reserves the right to make changes without notice. Copyright © 2019 Tuttle & Bailey www.tuttleandbailey.com