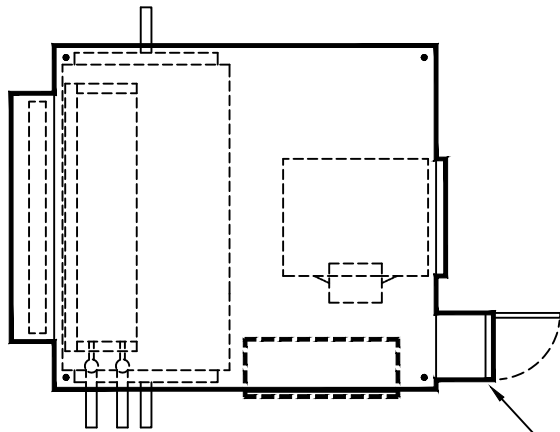


NOTES:

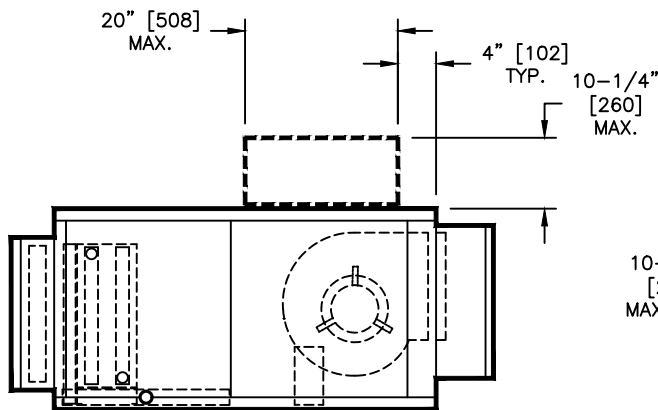
1. All dimensions are Inches [millimeters]. All dimensions are $\pm 1/4"$ [6mm]. Metric values are soft conversion.
2. Right hand unit shown, left hand unit opposite. Motor/drive location may be specified Left or Right Hand. Standard control enclosure and alternate control enclosure locations match motor/drive position.
3. Provide sufficient clearance to permit access to controls and comply with applicable codes and ordinances.
4. Enclosure may overhang unit cabinet up to $1/2"$ [13].
5. Enclosure cover hinging direction may vary.
6. Model HDD unit shown.

□ ALTERNATE LOCATION 2
(SEE NOTES 2 & 4)

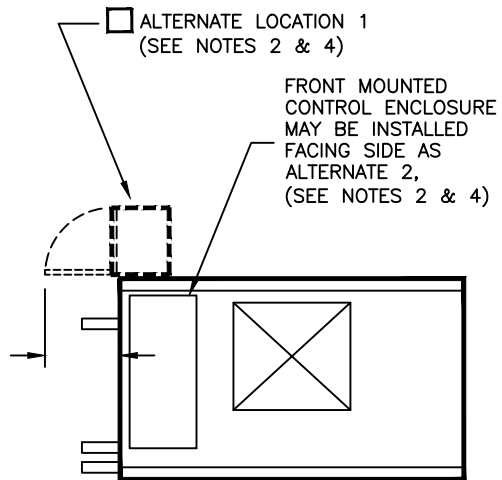


TOP VIEWS

STANDARD CONTROL ENCLOSURE MOUNTING LOCATION, SEE NOTES 2 & 5



SIDE VIEW



FRONT VIEW

TITLE:

HORIZONTAL DIRECT DRIVE BCU CONTROL ENCLOSURE MOUNTING ALTERNATE LOCATIONS



DRN BY: MSS	DATE: 1/10/2020	SCALE: 1=20	DRAWING NO.
CKD BY: NRC	DATE: 1/10/2020	REV: A	

35-80051

THIS DRAWING CONTAINS PROPRIETARY DATA. UNAUTHORIZED DISCLOSURE, REPRODUCTION, OR USE IS STRICTLY PROHIBITED WITHOUT WRITTEN PERMISSION

DO NOT SCALE DRAWING
DIMENSIONS AND DATA ARE SUBJECT TO CHANGE WITHOUT NOTICE.
CONTACT FACTORY FOR CERTIFIED DRAWINGS.