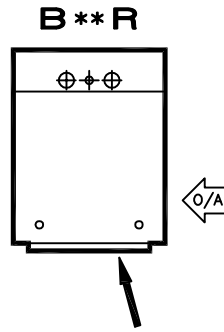
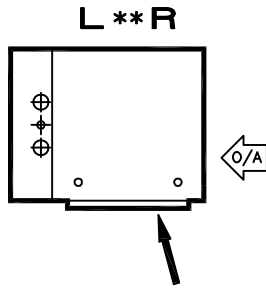


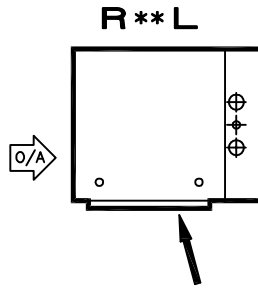
BACK RISER - LEFT O/A



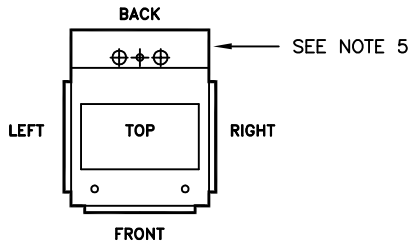
BACK RISER - RIGHT O/A



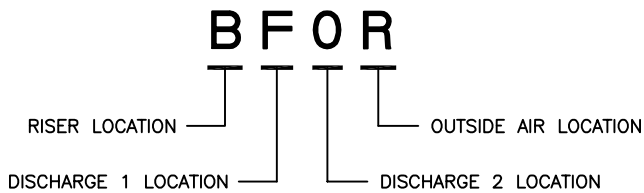
LEFT RISER - RIGHT O/A



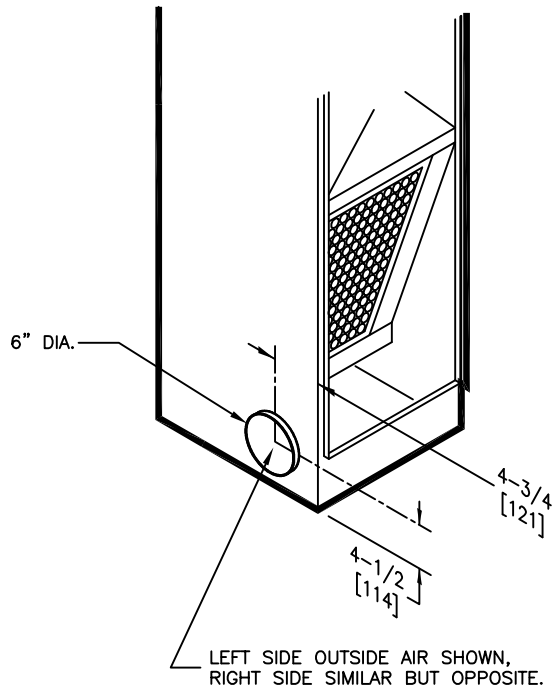
RIGHT RISER - LEFT O/A



F = FRONT
T = TOP
B = BACK
L = LEFT
R = RIGHT
O = NONE



UNIT SIDE DESIGNATIONS



LEFT SIDE OUTSIDE AIR SHOWN, RIGHT SIDE SIMILAR BUT OPPOSITE.

NOTES:

1. RETURN AIR AND ACCESS ARE ALWAYS ON FRONT OF UNIT.
2. THIS DRAWING SHOWS AVAILABLE RETURN AND OUTSIDE AIR INLET LOCATIONS.
3. SEE ARRANGEMENT DRAWINGS FOR COMPLETE UNIT RISER, SUPPLY, AND RETURN CONFIGURATION DETAILS.
4. OUTSIDE AIR INLET LOCATION IS ALWAYS LAST CHARACTER IN ARRANGEMENT CODE.
5. VHC UNIT WITH OPTIONAL RISER CHASE SHOWN. OUTSIDE AIR LOCATION DESIGNATIONS ARE TYPICAL FOR ALL VH MODELS.

TITLE: MODEL VH VERTICAL HIGH RISE FAN COIL UNIT OUTSIDE AIR INLET DESIGNATIONS



| | | | |
|-----------------|-------------------|----------------|-------------|
| DRN BY: HANK | DATE: 07/06/01 | SCALE: 1=32 | DRAWING NO. |
| CKD BY: JR | DATE: 4/11/08 | REV: 03 | |

VH-018

THIS DRAWING CONTAINS PROPRIETARY DATA. UNAUTHORIZED DISCLOSURE, REPRODUCTION, OR USE IS STRICTLY PROHIBITED WITHOUT WRITTEN PERMISSION

DO NOT SCALE DRAWING. DIMENSIONS AND DATA ARE SUBJECT TO CHANGE WITHOUT NOTICE. CONTACT FACTORY FOR CERTIFIED DRAWINGS.