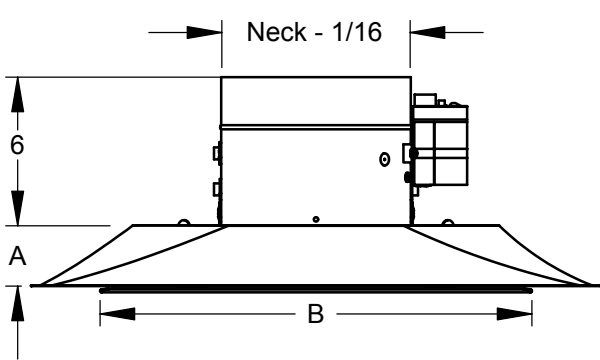
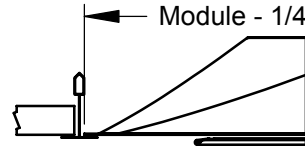


- Variable air volume diffuser for stand-alone operation
- Square, plaque faced, architectural diffuser with neck mounted modulating damper
- Full 360°, horizontal discharge pattern remains tight over a wide range of airflows
- Factory mounted actuator, controller and discharge temperature sensor
- Field installed, digital, non-programmable thermostat is factory provided
- All electronic components are low Voltage
- Steel construction
- White finish standard

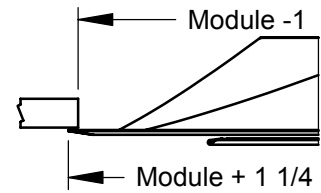


Frame Styles

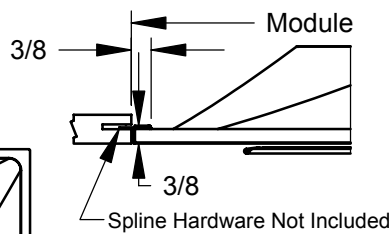
LT



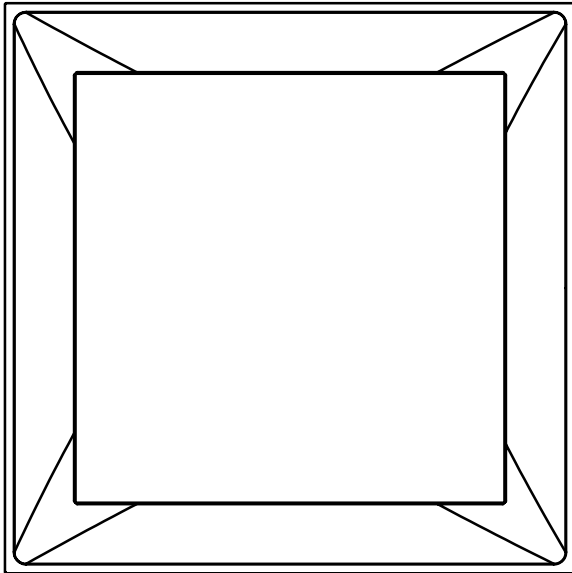
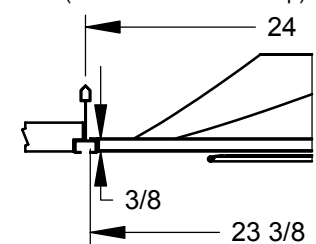
SF



PL



NR (9/16 Tee with 5/16 Drop)



Related Submittals:

SD-1926 (Thermostat)
WD-3000 (Wiring Diagram)

Control Mode:

Master Slave

Available Sizes:

Module	Neck	A	B
12x12	6, 8	1 1/8	9
24x24	6, 8, 10, 12, 14	2 1/2	18

Available Colors:

White(WH) Mill (No Paint) (ML)
Aluminum Paint (AP) Off White (OW)
Flat Black (FB)

Accessories:

Transformers:

40 VAC 75 VAC 100 VAC
Primary Voltage: 120 208-240

Dimensions in inches

Job: _____
Location: _____
Architect: _____
Engineer: _____
Contractor: _____

Submitted By: _____

SD-1925

Rev: A (02/05)

DCVH
VAV Diffuser
Electronically Controlled
Plaque Face - Steel