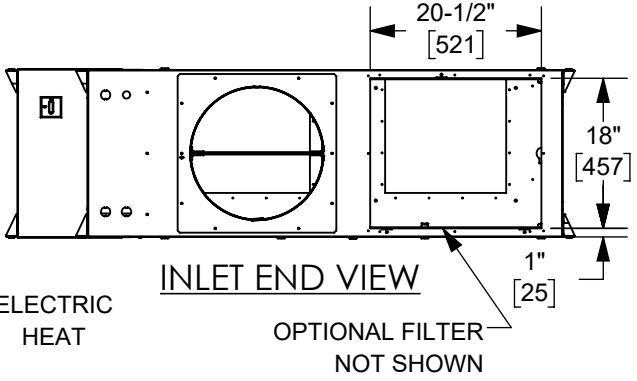
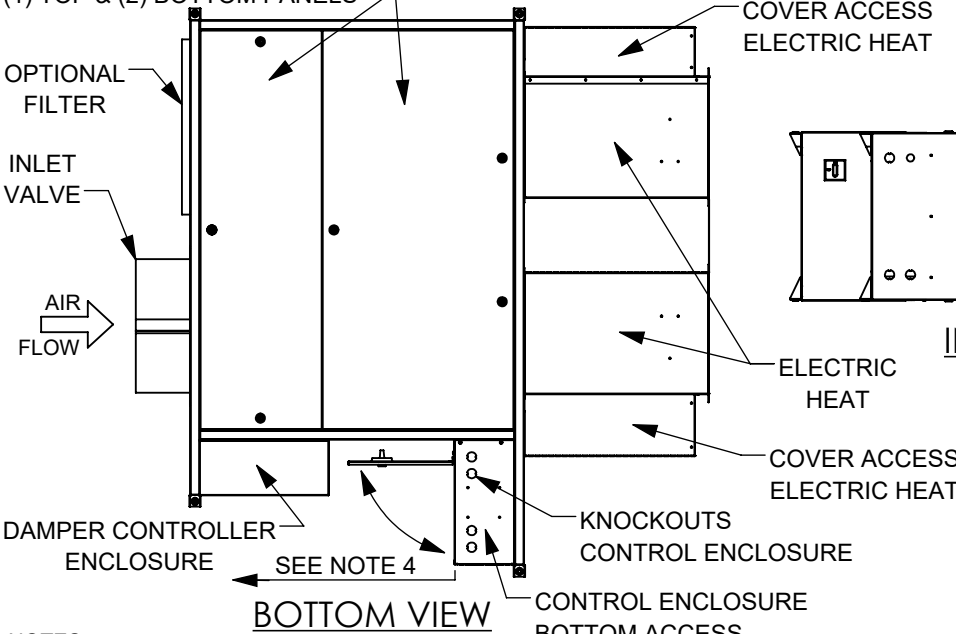


ACCESS SERVICE PANELS
(1) TOP & (2) BOTTOM PANELS



INLET VALVE			
DIA.	"A"	"B"	Ø "I"
12"	19" [483]	39-3/8" [1000]	11-7/8" [302]
14"	20" [508]	38-3/8" [975]	13-7/8" [352]
16"	21" [533]	37-3/8" [950]	15-7/8" [403]

NOTES:

- All dimensions in Inches [millimeters]. All dimensions ± 1/4" [6mm].
- Left Hand Enclosure, Electric Heat shown, Right Hand are opposite. Hanging determined by air flow hitting your back.
- 90 degree Electrical Enclosure is perpendicular to the unit side. Includes (4) knockouts on both side and bottom. Provide sufficient clearance to access electrical controls and comply with applicable codes and ordinances. 4. Maintain clearance per NEC (in direction of arrow).



THIS DRAWING CONTAINS PROPRIETARY DATA. UNAUTHORIZED DISCLOSURE, REPRODUCTION, OR USE IS STRICTLY PROHIBITED WITHOUT WRITTEN PERMISSION.

SUBMITTAL DRAWING
ALL DRAWINGS ARE SUBJECT TO CHANGE WITHOUT PRIOR NOTICE

DO NOT SCALE DRAWING
DIMENSIONS ARE IN INCH (MM) FORMAT +/- 1/8 (3) UNLESS OTHERWISE NOTED

TITLE:	MODEL CRB SIZES 35 & 45, W/ ELECTRIC HEAT, 90 DEGREE ENCLOSURE		
DATE	SHEET	DRAWING NO	REV
11/09/21	PAGE 1 OF 1	10-80135	A

UNCONTROLLED WHEN PRINTED